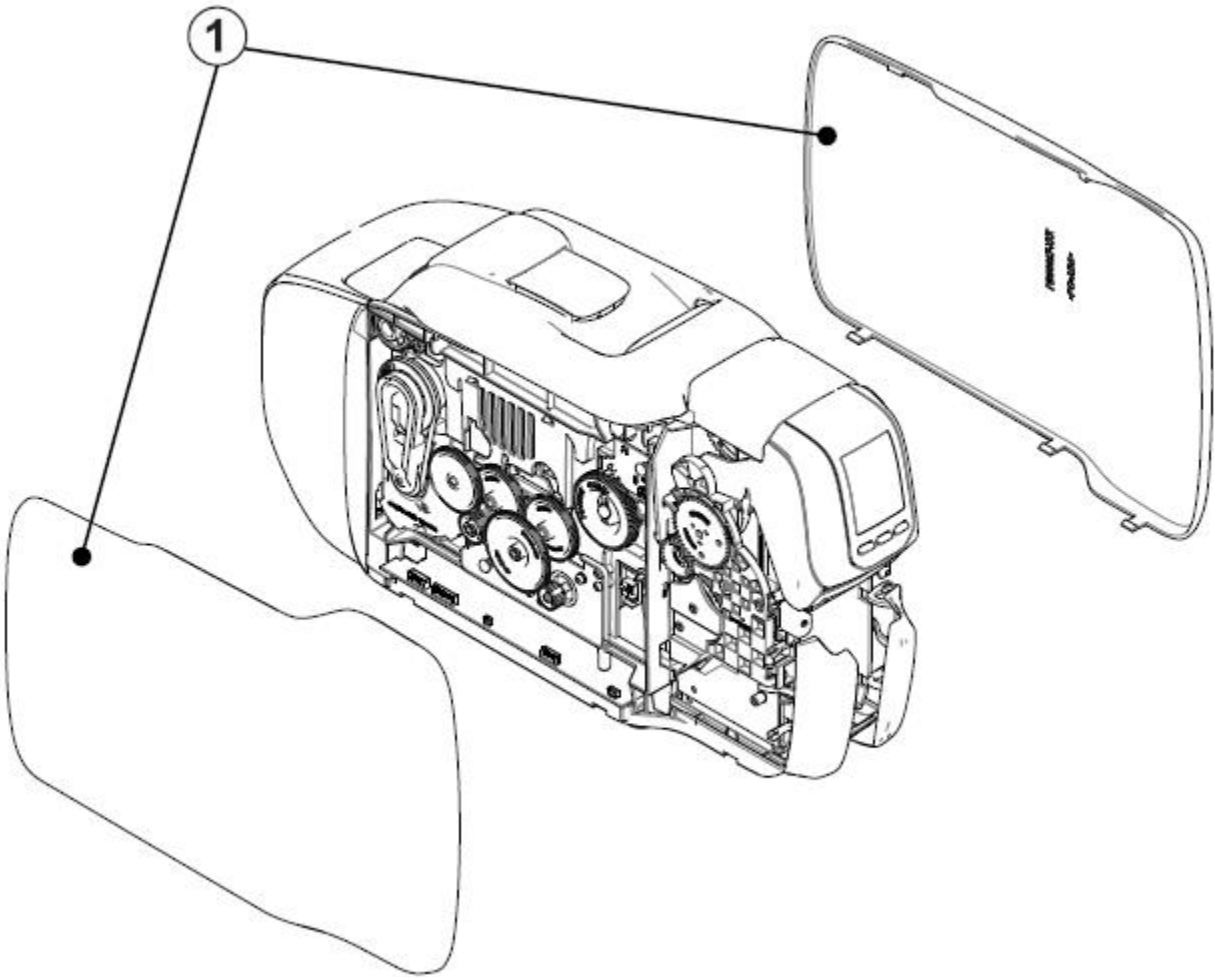
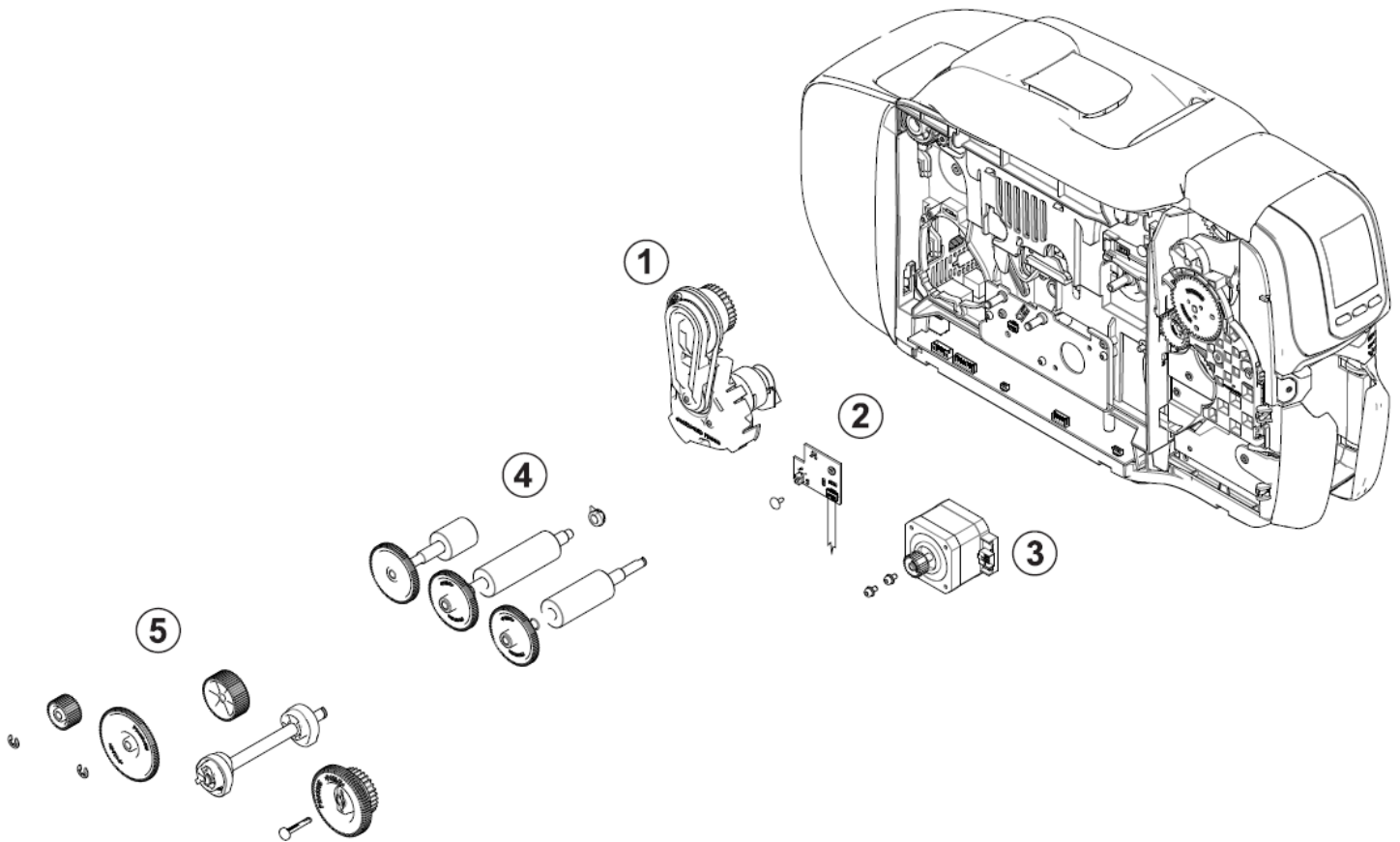




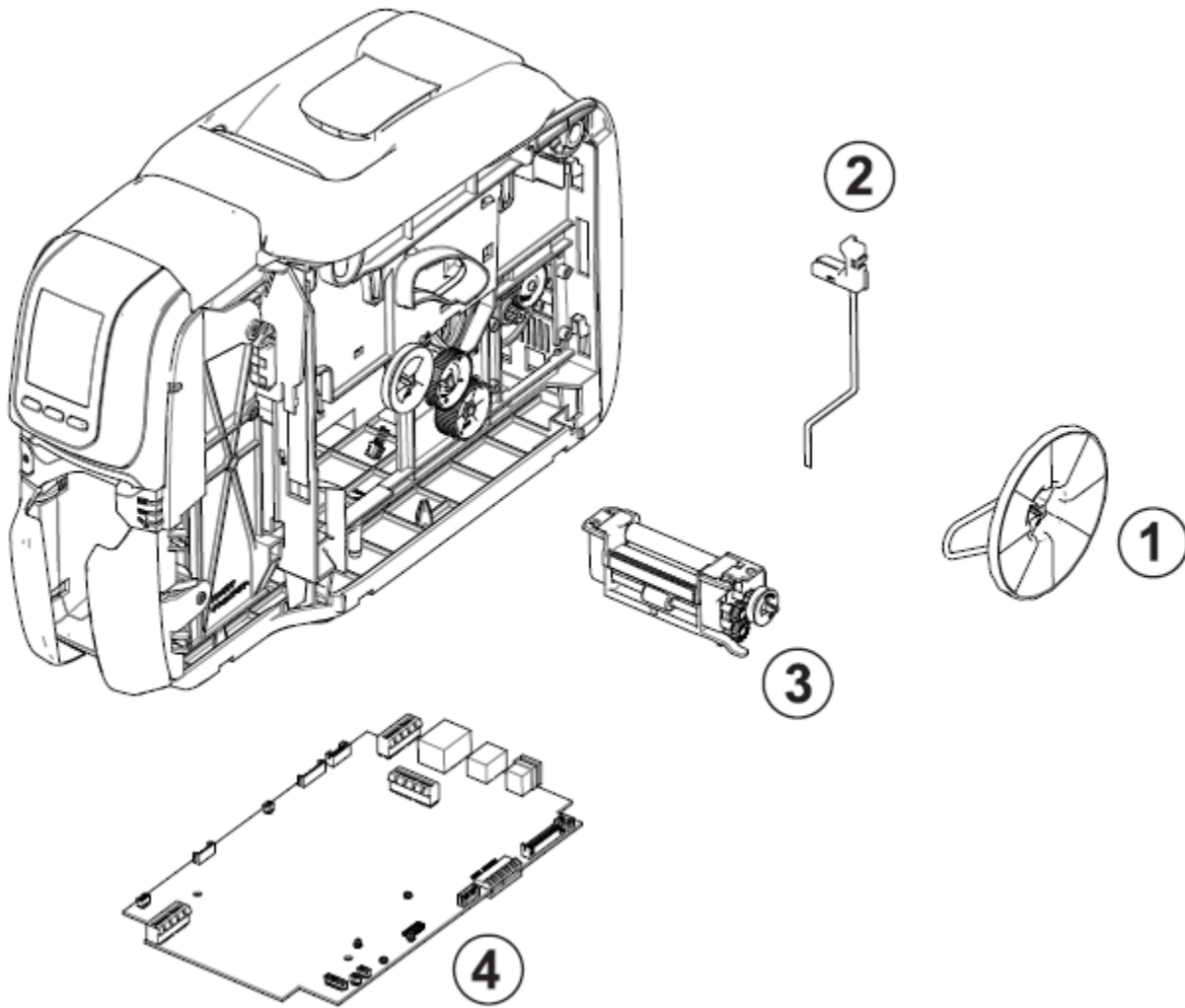
Zebra[®] ZC100 Series / ZC300 Series Spare Parts Catalog



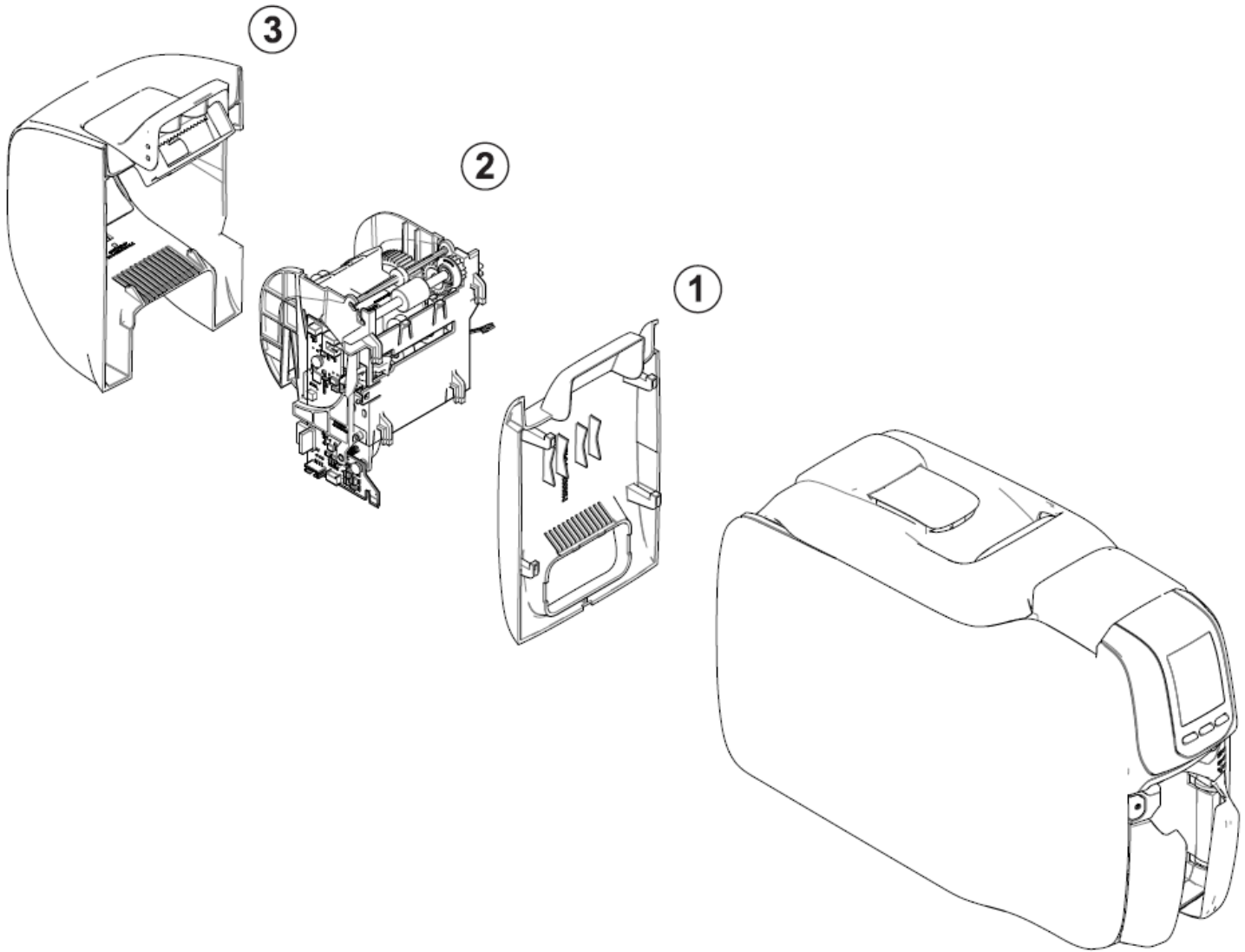
Item Number	Description	Part Number	Kit Quantity
1	Kit, Printer Side Panels, ZC100 (White)	P1094879-021	1
	Kit, Printer Side Panels, ZC300 (Grey)	P1094879-022	1
	Kit, Printer Side Panels, ZC350 (Black)	P1094879-023	1



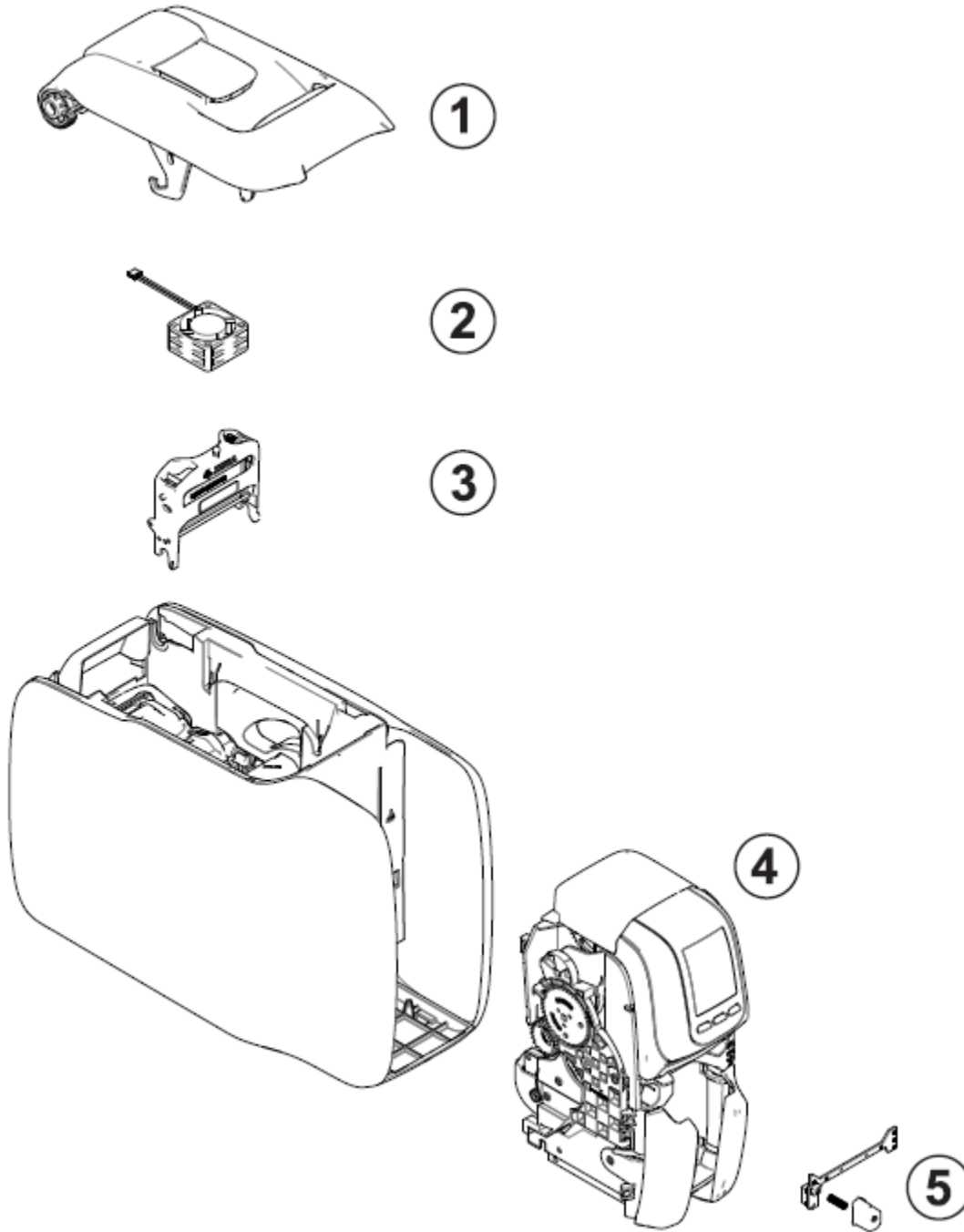
Item Number	Description	Part Number	Kit Quantity
1	Kit, Ribbon Take-Up Drive Assembly	P1094879-034	1
2	Kit, Tri Sensor PCBA	P1094879-036	1
3	Kit, Platen Drive Motor	P1094879-039	1
4	Kit, Platen Rollers	P1094879-043	1
5	Kit, Cam and Gears	P1094879-041	1



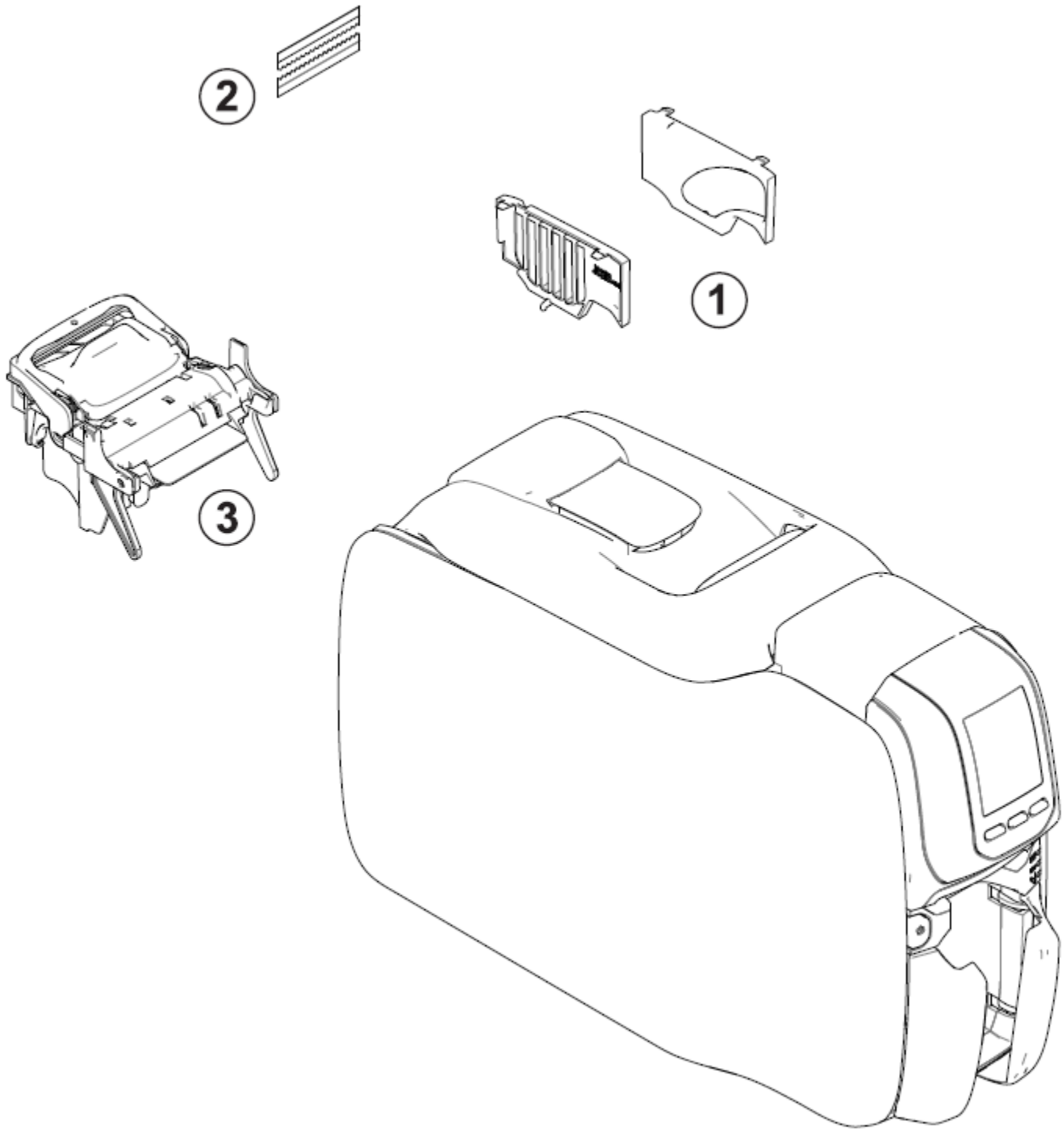
Item Number	Description	Part Number	Kit Quantity
1	Kit, Manual Advance Wheel with Belt	P1094879-033	1
Not Shown	Kit, Drive Belts (Qty 2)	P1094879-032	2
2	Kit, Card Entry Sensor	P1094879-029	1
3	Kit, Card Entry/Exit Module	P1094879-035	1
4	Kit, Main Logic Board ZC100	P1094879-049	1
	Kit, Main Logic Board ZC150	P1094879-050	1
	Kit, Main Logic Board ZC300	P1094879-051	1
	Kit, Main Logic Board ZC350	P1094879-052	1



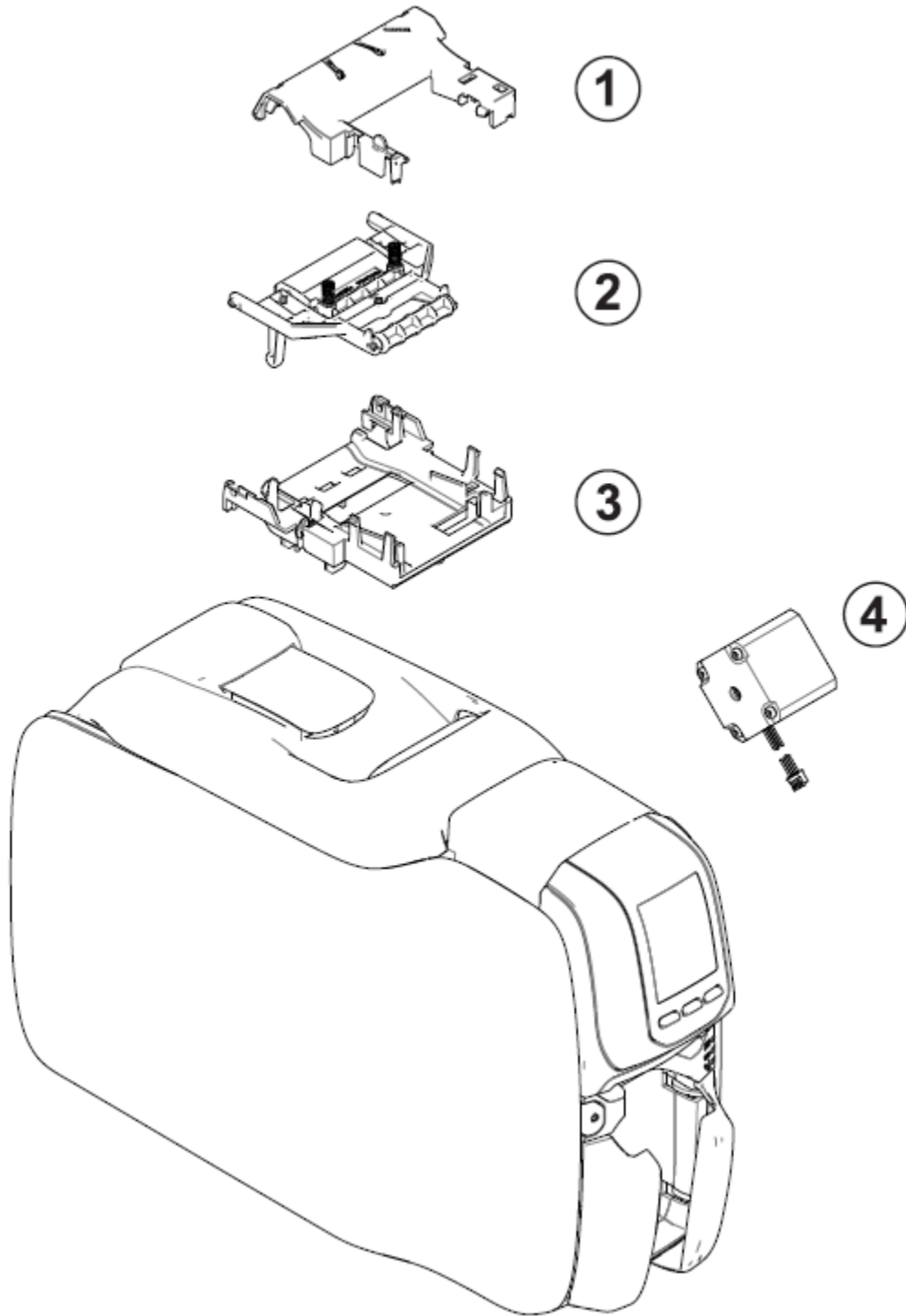
Item Number	Description	Part Number	Kit Quantity
1	Kit, Rear Panel, Single Sided	P1094879-060	1
2	Kit, Flipper Assembly	P1094879-125	1
3	Kit, Flipper Enclosures	P1094879-024	1



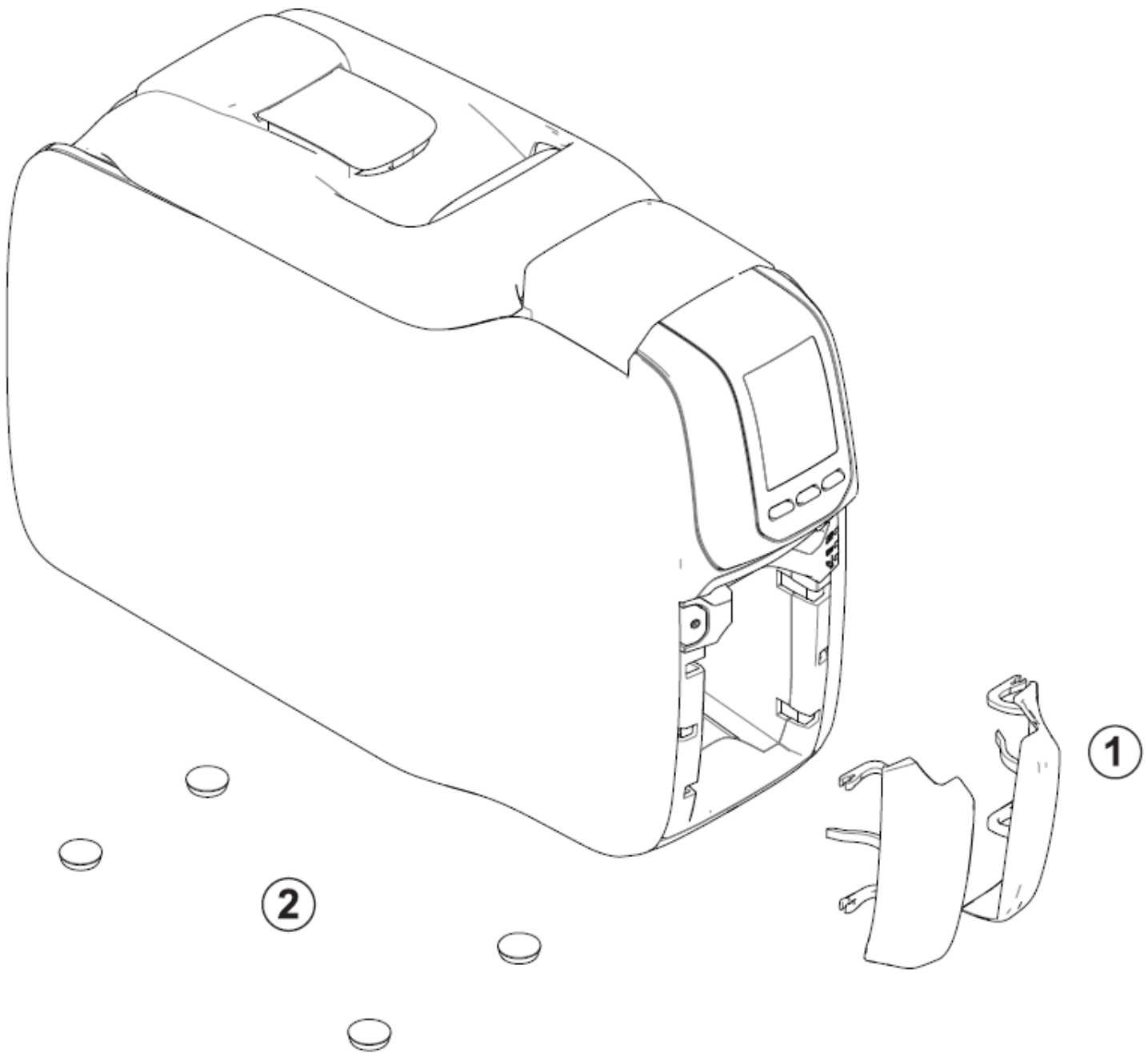
Item Number	Description	Part Number	Kit Quantity
1	Kit, Top Cover Assembly	P1094879-030	1
2	Kit, Printhead Fan Assembly	P1094879-031	1
3	Kit, Printhead Assembly	P1094879-020	1
4	Kit, Feeder Assembly with LCD	P1094879-053	1
	Kit, Feeder Assembly without LCD	P1094879-054	1
5	Kit, LED PCBA	P1094879-055	1
Not Shown	Kit, Feeder Roller ZC100/ZC300	P1094879-064	1



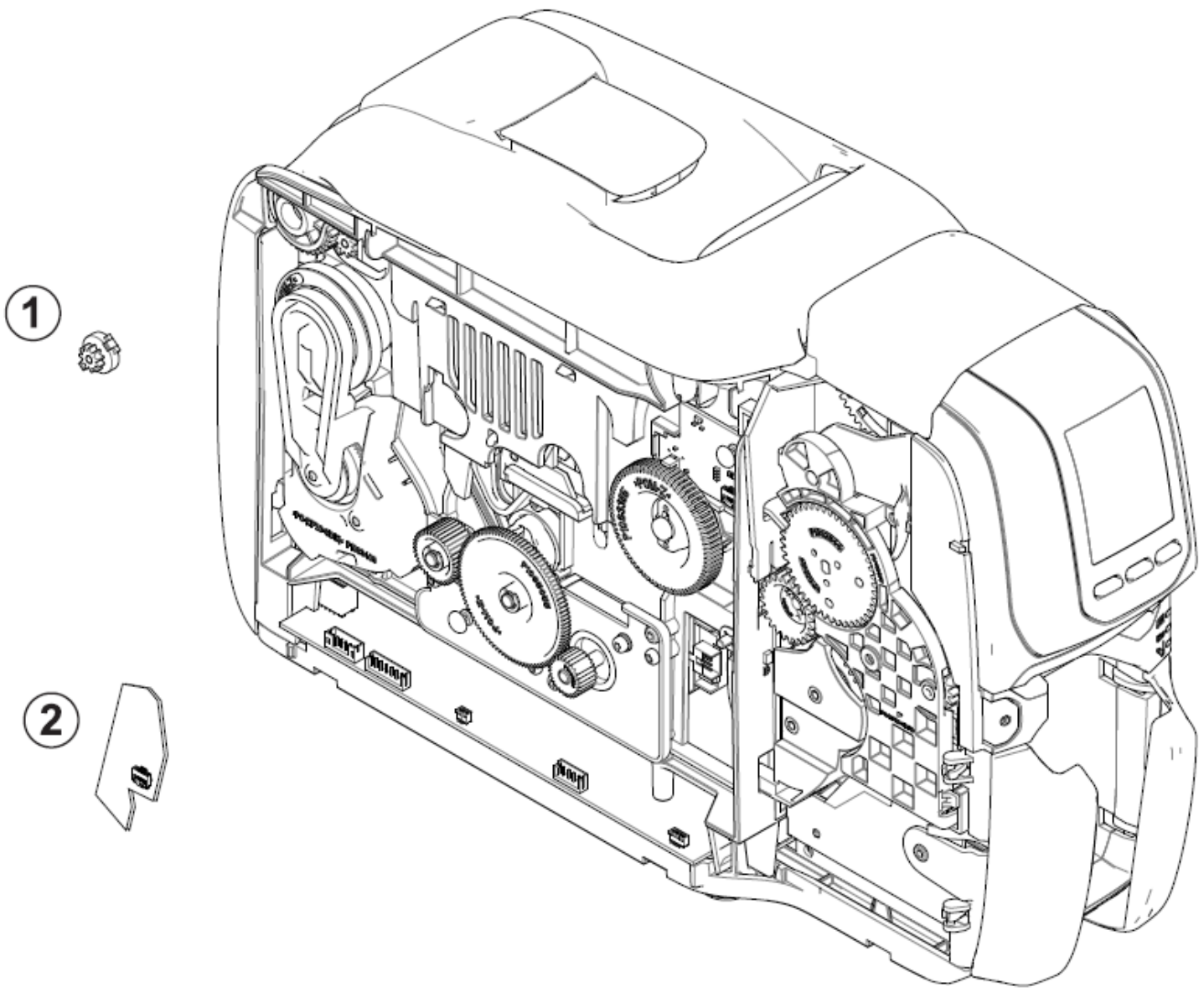
Item Number	Description	Part Number	Kit Quantity
1	Kit, Filler Panels	P1094879-026	1
2	Kit, Static Brush (Qty 10)	P1094879-044	10
3	Kit, Rear Deck Assembly, No Encoders	P1094879-056	1



Item Number	Description	Part Number	Kit Quantity
1	Kit, Ribbon Detect Sensor Assembly	P1094879-057	1
2	Kit, Nip Roller Assembly	P1094879-028	1
3	Kit, Front Deck	P1094879-042	1
4	Kit, Lift Cam Motor	P1094879-038	1



Item Number	Description	Part Number	Kit Quantity
1	Kit, Output Hopper Doors	P1094879-027	1
2	Kit, Feet (Qty 12)	P1094879-059	12



Item Number	Description	Part Number	Kit Quantity
1	Kit, Top Cover Damper (Qty 5)	P1094879-040	5
2	Kit, Cam Position Sensor	P1094879-037	1

Misc. Items

Item Number	Description	Part Number	Kit Quantity
Not Shown	Kit, Power Supply	P1094879-045	1
Not Shown	Kit, Hardware, Fasteners and Screws	P1094879-046	1
Not Shown	Kit, Packaging Standard	P1094879-047	1
Not Shown	Kit, Fabric Packaging Bag (Qty 3)	P1094879-061	3
Not Shown	Kit, Printhead Cable Assembly	P1094879-058	1

Upgrade Kits

Item Number	Description	Part Number	Kit Quantity
Not Shown	Kit, Upgrade Mag Encoder, ZC100, ZC300 and ZC350	P1094879-002	1
Not Shown	Kit, Upgrade MiFare Contact Encoder, ZC300 and ZC350	P1094879-203	1
Not Shown	Kit, Upgrade Contact Station, ZC300 and ZC350	P1094879-004	1
Not Shown	Kit, Upgrade Wireless, ZC100, ZC300 and ZC350	P1094879-005	1
Not Shown	Kit, Upgrade UHF RF-ID, ZC300	P1094879-007	1
Not Shown	Kit, Upgrade Mifare Prox iClass Contact Encoder, ZC350	P1094879-209	1
Not Shown	Kit, Upgrade Dual-Sided	P1094879-110	1
Not Shown	Kit, Upgrade ZIP Encoder, ZC100, ZC300 and ZC350	P1094879-011	1
Not Shown	Kit, Upgrade Printer Lock, ZC300 and ZC350	P1094879-012	1
Not Shown	Kit, Upgrade Mag Encoder and MiFare Contact Encoder, ZC300 and ZC350	P1094879-213	1
Not Shown	Kit, Upgrade Mag Encoder and Contact Station, ZC300 and ZC350	P1094879-014	1
Not Shown	Kit, Upgrade Mag Encoder and Mifare Prox iClass Contact Encoder, ZC350	P1094879-215	1
Not Shown	Kit, Upgrade Mag Encoder and UHF RF-ID, ZC300	P1094879-017	1