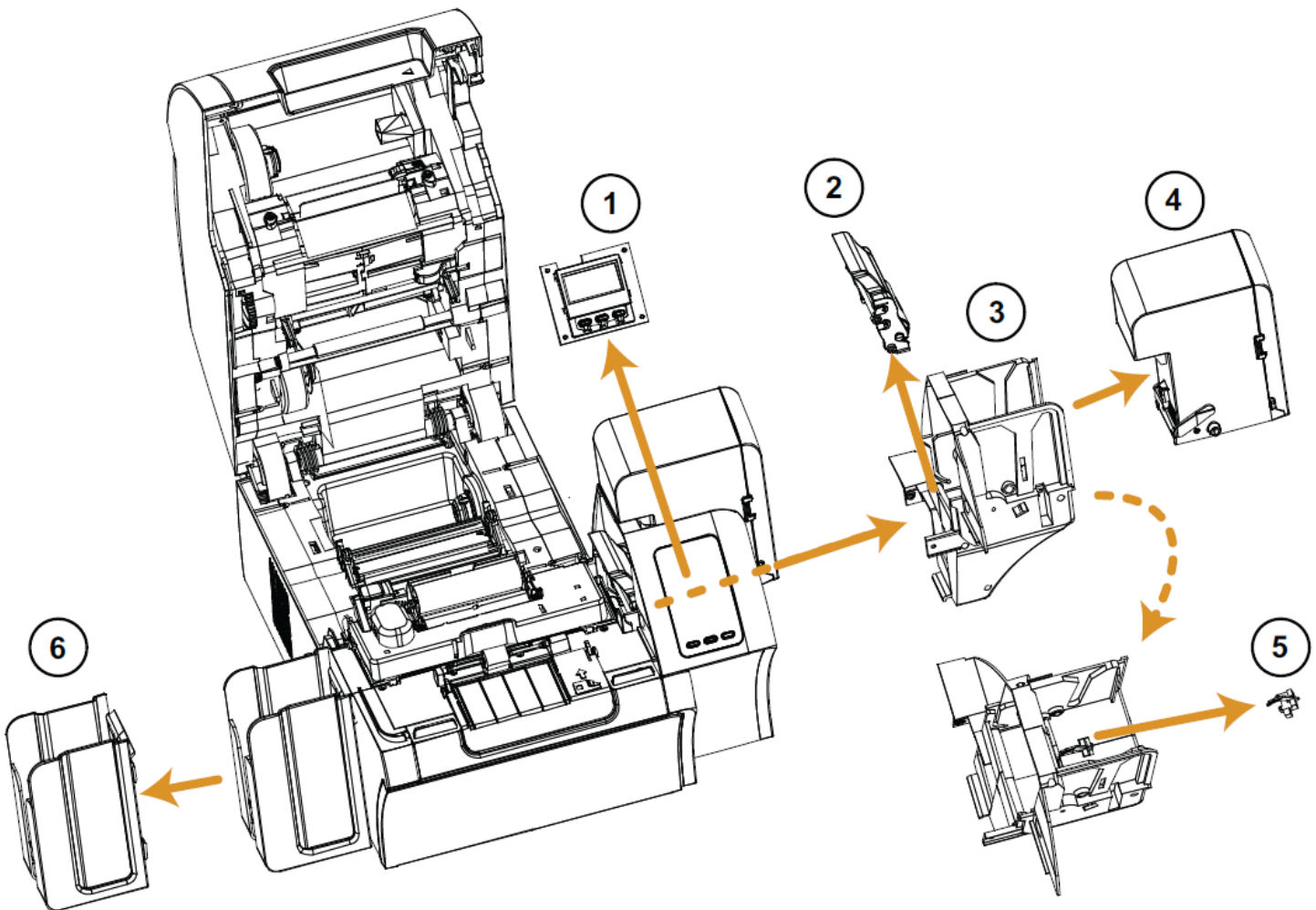




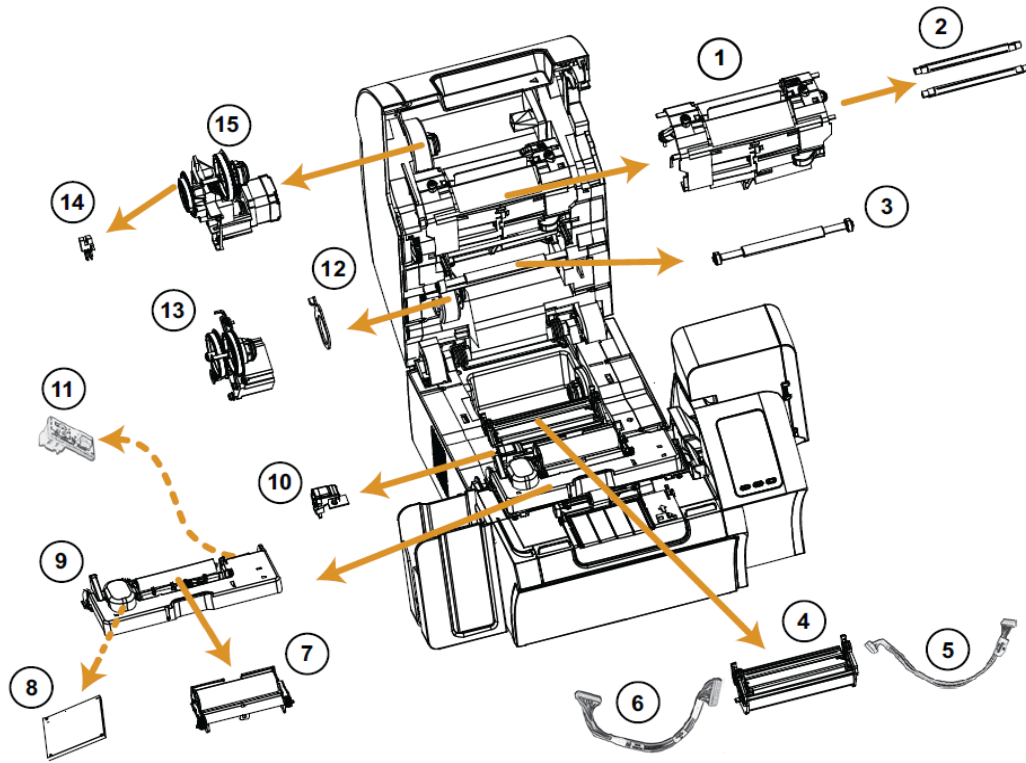
Zebra® ZXP Series 9™ Card Printer

Spare Parts Catalog

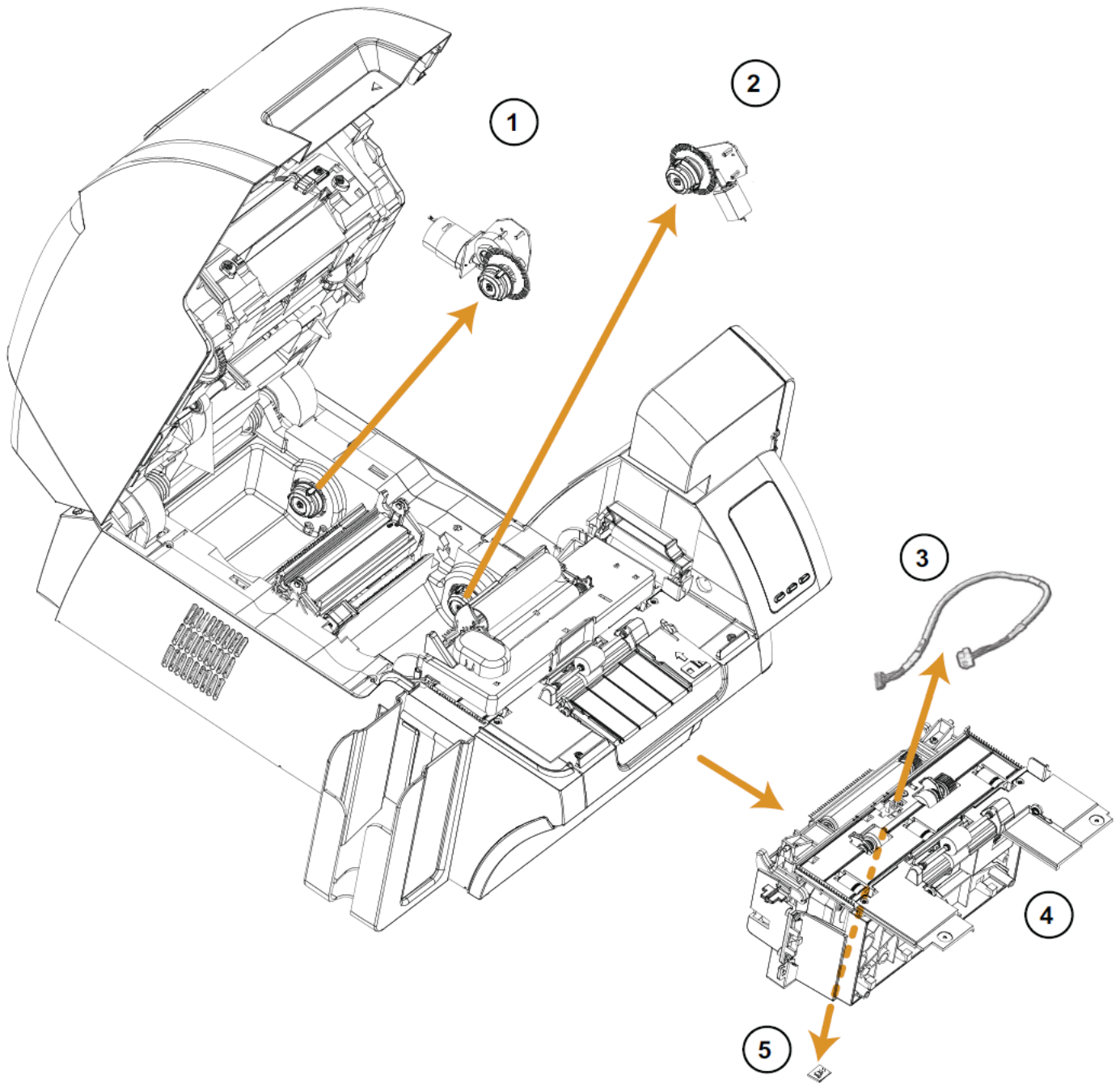


Item Number	Description	Part Number	Kit Quantity
1	Kit Operator Control Panel	105936G-012	1
2	Kit Cleaning Cartridge Assembly	105936G-333	1
3	Kit Card Feeder Assembly	105936G-331	1
4	Kit Card Feeder Box (holds 150 cards)	105936G-332	1
5	Kit Card Infeed Sensor	105936G-034	1
6	Kit Output Hopper Assembly	105936G-335	1
Not Shown	Kit Printer Replacement Lock (replaces existing lock)	105936G-049	1

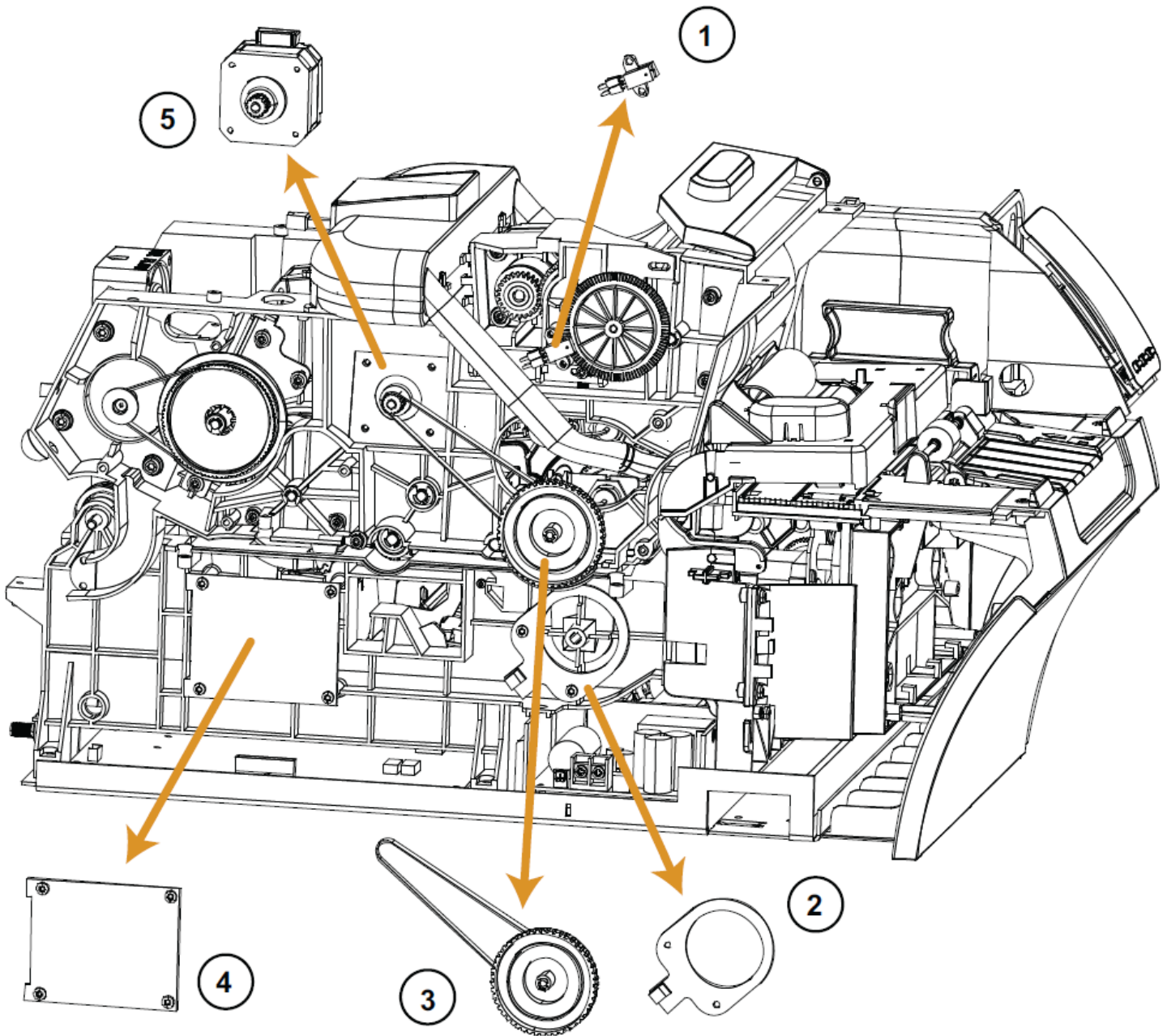
ZXP9 Spare Parts Catalog



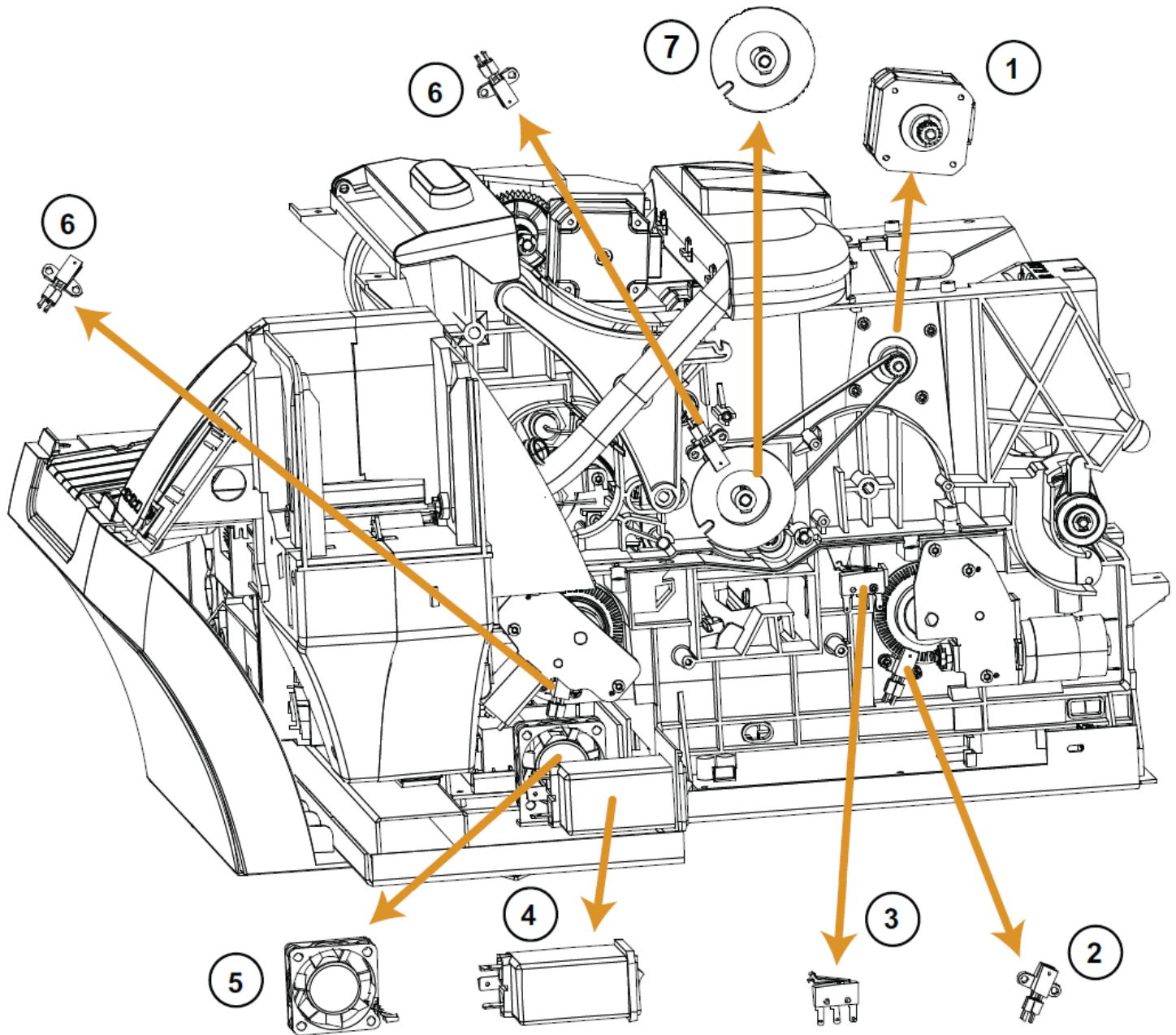
Item Number	Description	Part Number	Kit Quantity
1	Kit Transfer Station Assembly 300 DPI only (Z9x-xxxxx <u>0</u> xxxxxx printers)	105936G-309	1
	Kit Transfer Station Assembly 600 DPI only (Z9x-xxxxx <u>6</u> xxxxxx printers)	105936G-209	
2	Kit Halogen Bulbs (Qty 2)	105936G-110	2
3	Kit Platen Roller	105936G-039	1
4	Kit Printhead Assembly 300 DPI only (Z9x-xxxxx <u>0</u> xxxxxx printers)	105936G-003	1
	Kit Printhead Assembly 600 DPI only (Z9x-xxxxx <u>6</u> xxxxxx printers)	105936G-203	
5	Kit C/A, Printhead Power (Qty 2) 300 DPI only (Z9x-xxxxx <u>0</u> xxxxxx printers)	105936G-040	2
	Kit C/A, Printhead Power (Qty 2) 600 DPI only (Z9x-xxxxx <u>6</u> xxxxxx printers)	105936G-240	
6	Kit C/A, Printhead Data 300 DPI only (Z9x-xxxxx <u>0</u> xxxxxx printers)	105936G-017	1
	Kit C/A, Printhead Data 600 DPI only (Z9x-xxxxx <u>6</u> xxxxxx printers)	105936G-217	
7	Kit Y Roller	105936G-036	1
8	Kit Contact Station PCBA (Contact Station)	105936G-044	1
	Kit Contactless Encoder PCBA (Contact Encoder/MiFare)	105936G-045	
9	Kit Idler Cover	105936G-114	1
10	Kit Tricolor Sensor	105936G-024	1
11	Kit Transport Assembly Card Detector	105936G-315	1
12	Kit Media Authentication Coupler PCBA	105936G-028	1
13	Kit INTM Payout Assembly	105936G-006	1
14	Kit Gap Sensor with Cable (Qty 2)	105936G-018	2
15	Kit INTM Take Up Assembly	105936G-305	1
Not Shown	Kit Contact Station	105936G-352	1



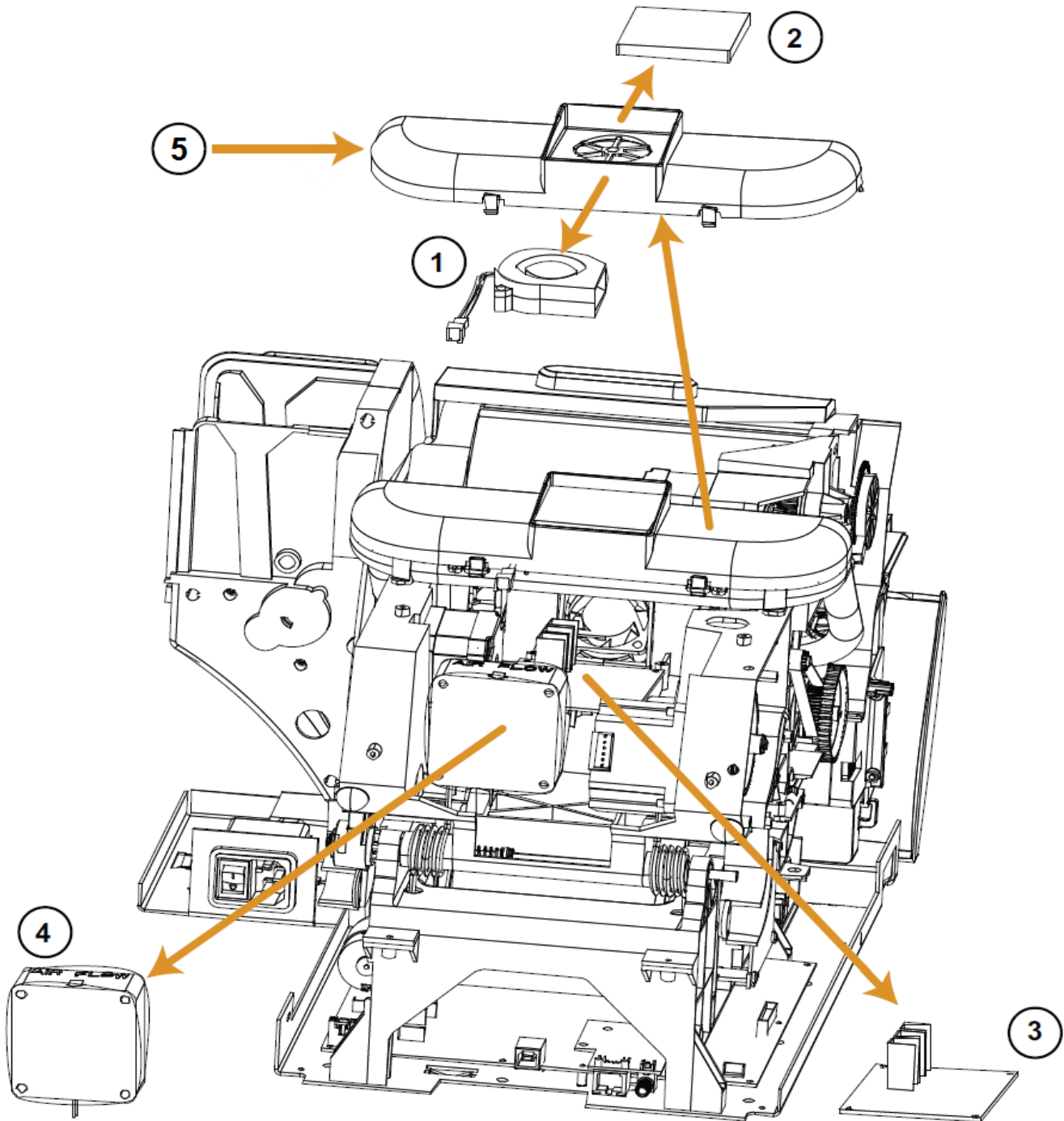
Item Number	Description	Part Number	Kit Quantity
1	Kit Ribbon Tape Up Assembly	105936G-002	1
2	Kit Ribbon Payout Drive Assembly	105936G-001	1
Not Shown	Kit Ribbon Authentication Coupler PCBA	105936G-054	1
3	Kit Mag Encoder	105936G-043	1
4	Kit Card Transport Assembly	105936G-329	1
5	Kit Transport Assembly Card Detector	105936G-315	1



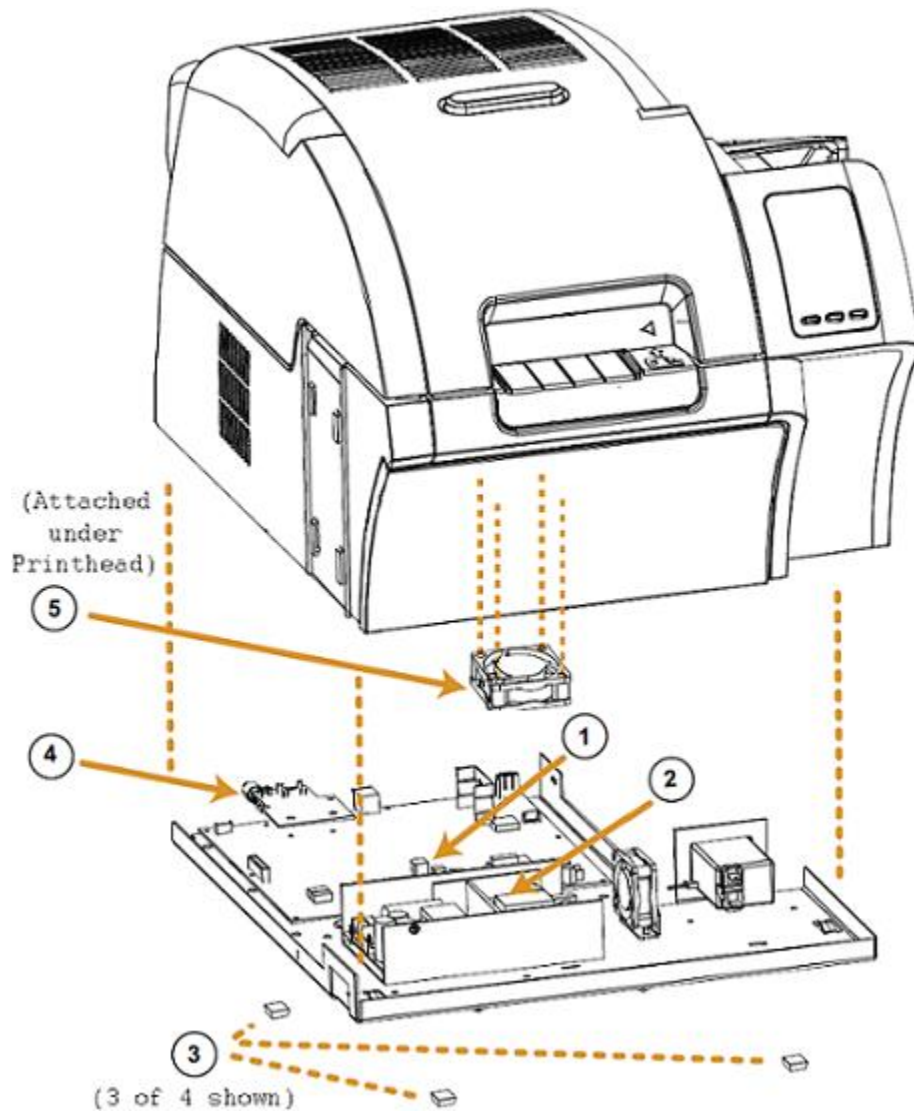
Item Number	Description	Part Number	Kit Quantity
1	Kit Gap Sensor with Cable (Qty 2)	105936G-018	2
2	Kit Media Authentication Coupler PCBA	105936G-028	1
3	Kit Transfer Output and Belt	105936G-304	1
4	Kit Media Authentication PCBA	105936G-027	1
5	Kit Printhead Lift Motor	105936G-011	1
Not Shown	Kit All Drive Belts	105936G-076	1



Item Number	Description	Part Number	Kit Quantity
1	Kit Printhead Lift Motor	105936G-011	1
2	Kit Ribbon Take Up Sensor	105936G-030	1
3	Kit Door Switch	105936G-026	1
4	Kit EMI Line Filter	105936G-020	1
5	Kit Printhead Fan	105936G-022	1
6	Kit Gap Sensor with Cable (Qty 2)	105936G-018	2
7	Kit Pulley 48T	105936G-075	1



Item Number	Description	Part Number	Kit Quantity
1	Kit Flash Blower	105936G-007	1
2	Kit Flash Blower Filter (Qty 5)	105936G-008	5
3	Kit Halogen Lamp Control PCBA	105936G-025	1
4	Kit Rear Cooling Fan	105936G-023	1
5	Kit Entire Blower Assembly (includes blower and filter)	105936G-064	1



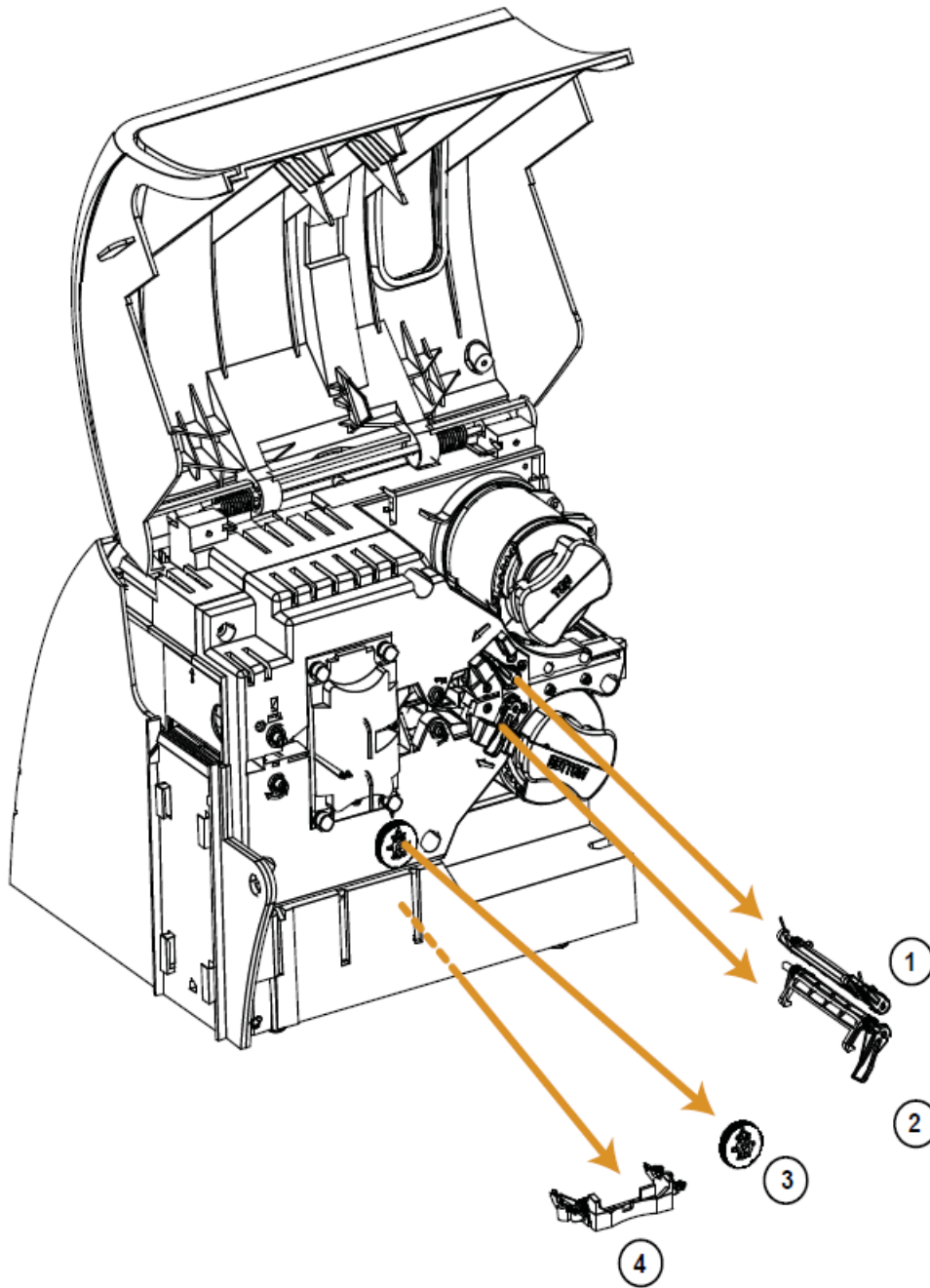
Item Number	Description	Part Number	Kit Quantity
1	Kit Main Logic Board 300 DPI only (Z9x-xxxxx0xxxxxx printers)	105936G-319	1
	Kit Main Logic Board 600 DPI only (Z9x-xxxxx6xxxxxx printers)	105936G-219	
2	Kit Power Supply	105936G-021	1
3	Kit Feet for Printer (Qty 12)	105936G-013	12
4	Kit Ethernet PCBA	105936G-055	1
5	Kit Printhead Fan	105936G-022	1
Not Shown	Kit Replacement Antenna	105936G-070	1

Enclosure Kits

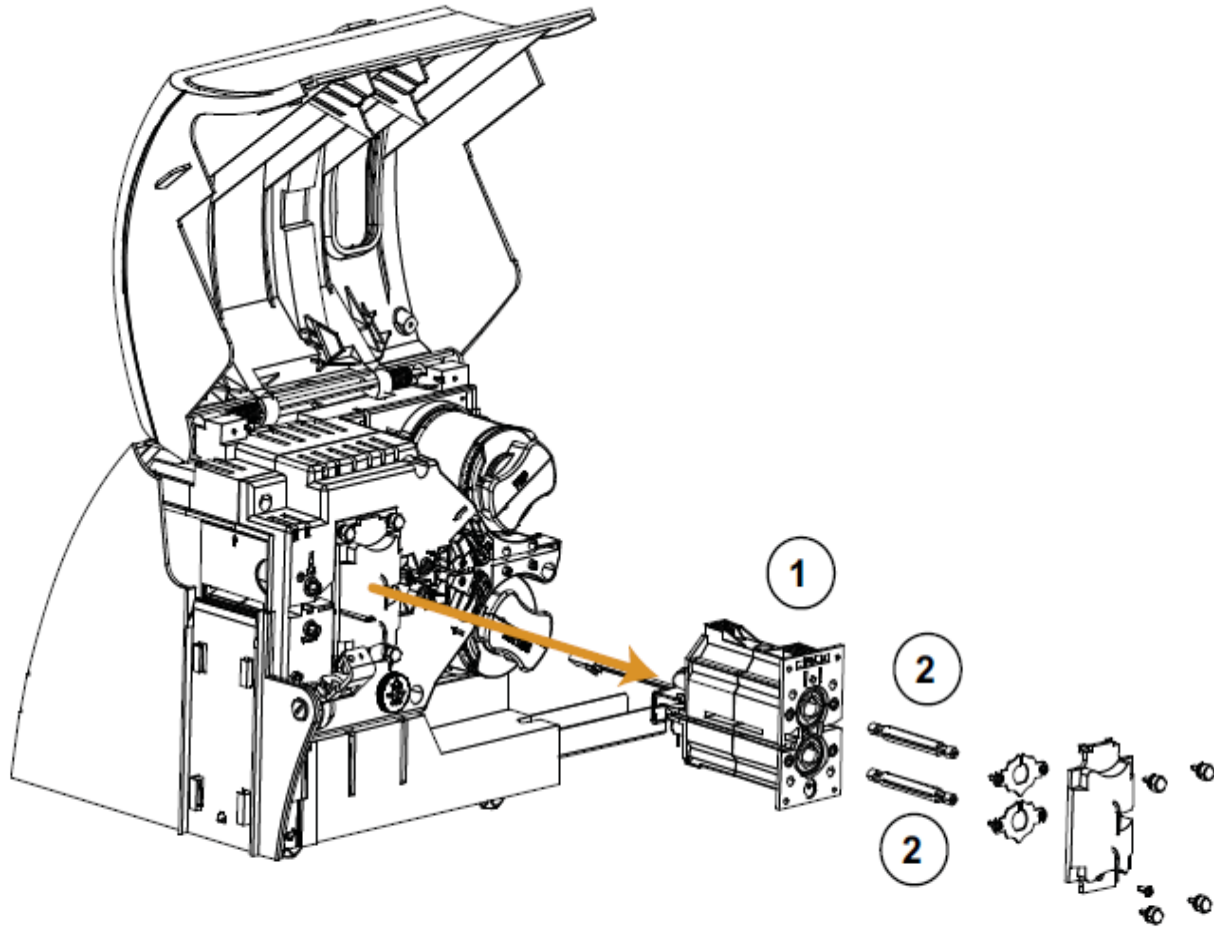
Item Number	Description	Part Number	Kit Quantity
Not Shown	Kit Upper Enclosure Covers	105936G-365	1
Not Shown	Kit Front Enclosure with Color Panel	105936G-371	1
Not Shown	Kit Side Enclosures (L&R) 300 DPI only (Z9x-xxxxx0xxxxxx printers)	105936G-372	1
	Kit Side Enclosures (L&R) 600 DPI only (Z9x-xxxxx6xxxxxx printers)	105936G-272	
Not Shown	Kit Laminator Door and Side Panel	105936G-742	1
Not Shown	Kit Side Panels for Printer with Laminator	105936G-743	1

Upgrade Kits

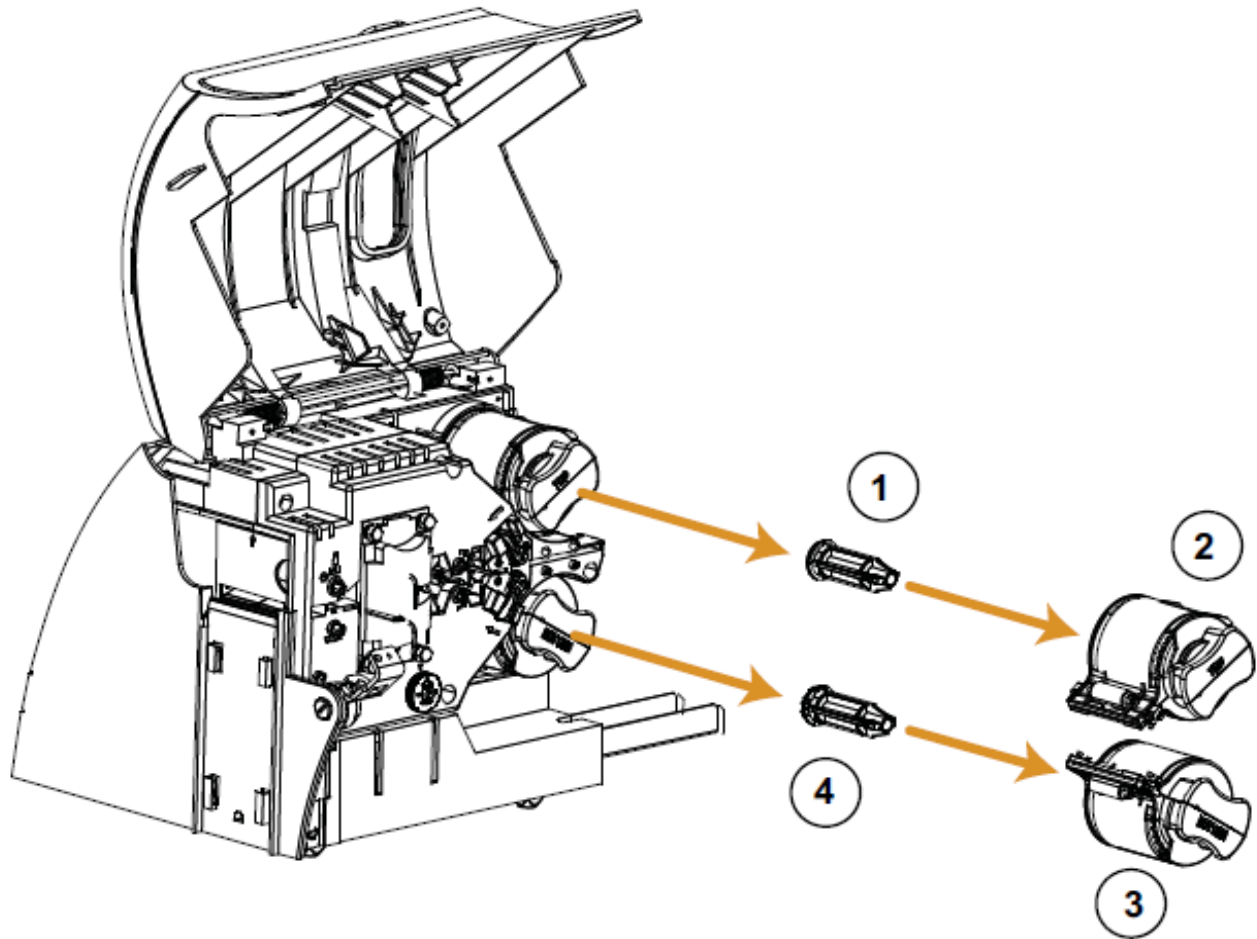
Item Number	Description	Part Number	Kit Quantity
Not Shown	Kit Upgrade Contact Encoder and MIFARE	105936G-360	1
Not Shown	Kit Upgrade Printer Lock (Use to add a lock to an existing printer without a lock)	105936G-353	1
Not Shown	Kit Upgrade Wireless USA	105936G-366	1
Not Shown	Kit Upgrade Wireless EMEA	105936G-367	1
Not Shown	Kit Upgrade Laminator Lock (Use to add a lock to an existing laminator without a lock)	105936G-535	1
Not Shown	Kit Upgrade Single Side Laminator 300 DPI only (Z9x-xxxxx0xxxxxx printers)	105936G-740	1
	Kit Upgrade Single Side Laminator 600 DPI only (Z9x-xxxxx6xxxxxx printers)	105936G-250	
Not Shown	Kit Upgrade Dual Side Laminator 300 DPI only (Z9x-xxxxx0xxxxxx printers)	105936G-741	1
	Kit Upgrade Dual Side Laminator 600 DPI only (Z9x-xxxxx6xxxxxx printers)	105936G-251	



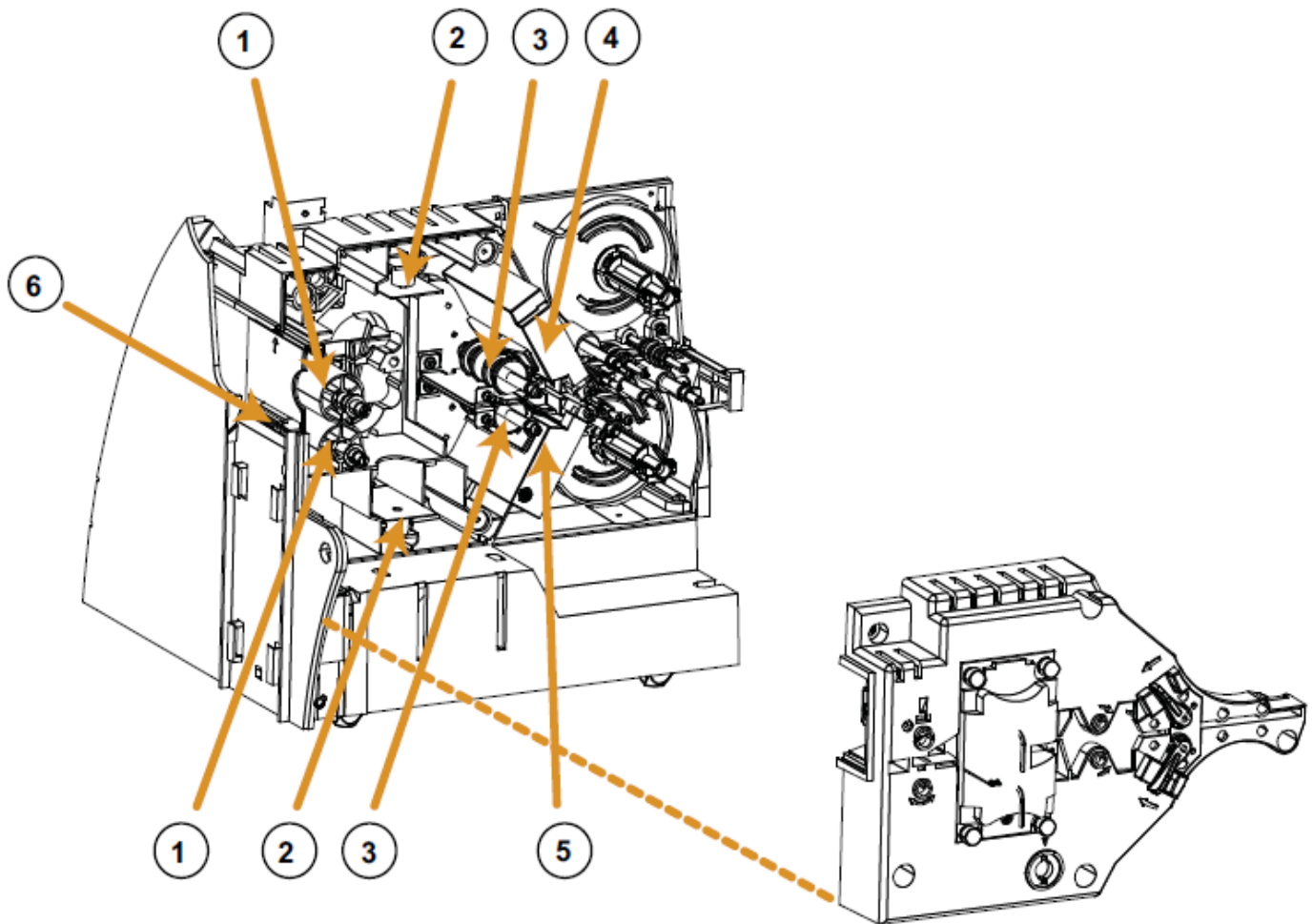
Item Number	Description	Part Number	Kit Quantity
1	Kit Latch for Upper Laminator Cassette	P1037750-505	1
2	Kit Latch for Lower Laminator Cassette	P1037750-506	1
3	Kit Laminator Thumb Drive Wheel	P1037750-529	1
4	Kit Laminator Door Latch	105936G-529	1
Not Shown	Kit Replacement Lock Laminator (Use to replace existing Lock)	105936G-502	1



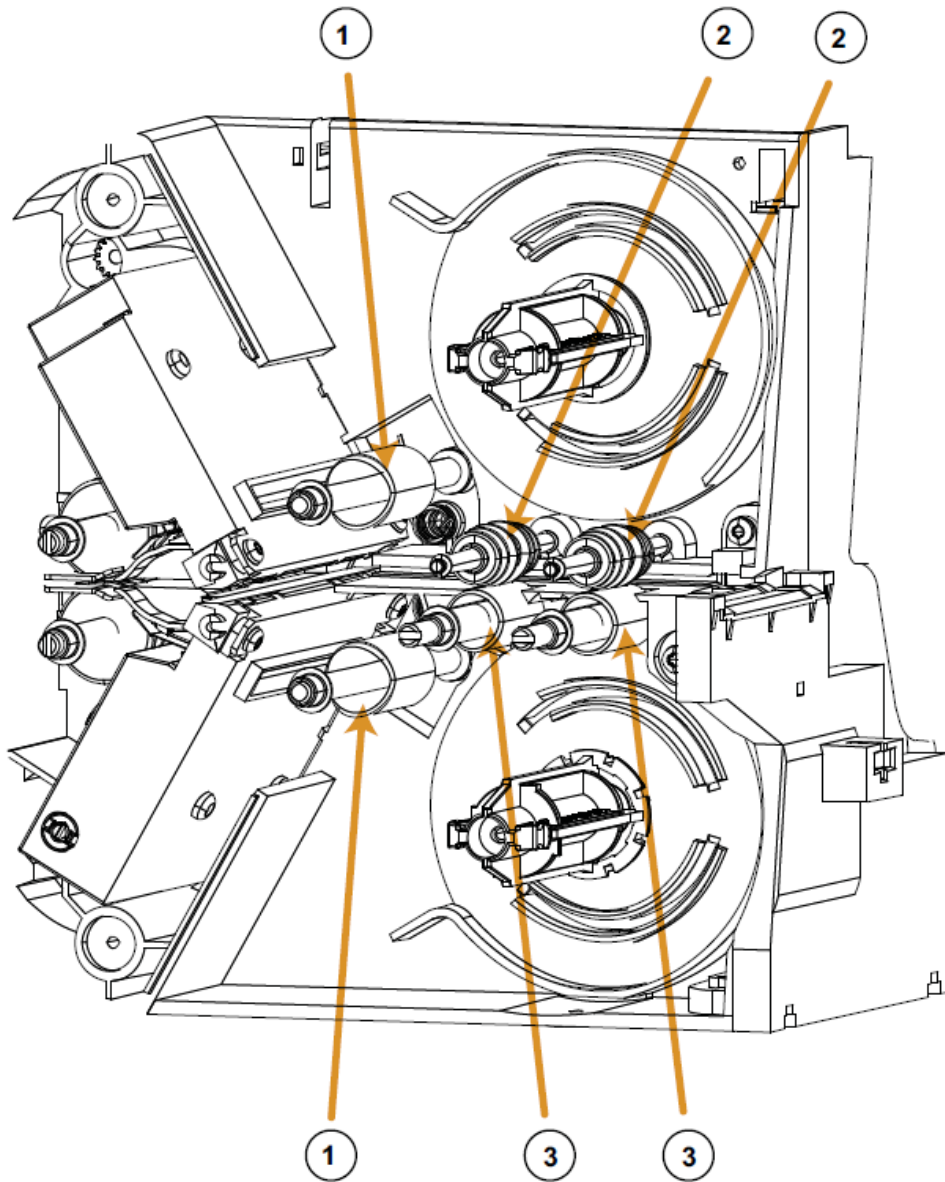
Item Number	Description	Part Number	Kit Quantity
1	Kit Heater Assembly	105936G-551	1
2	Kit Halogen Bulbs for Heater (Qty 2)	105936G-549	2



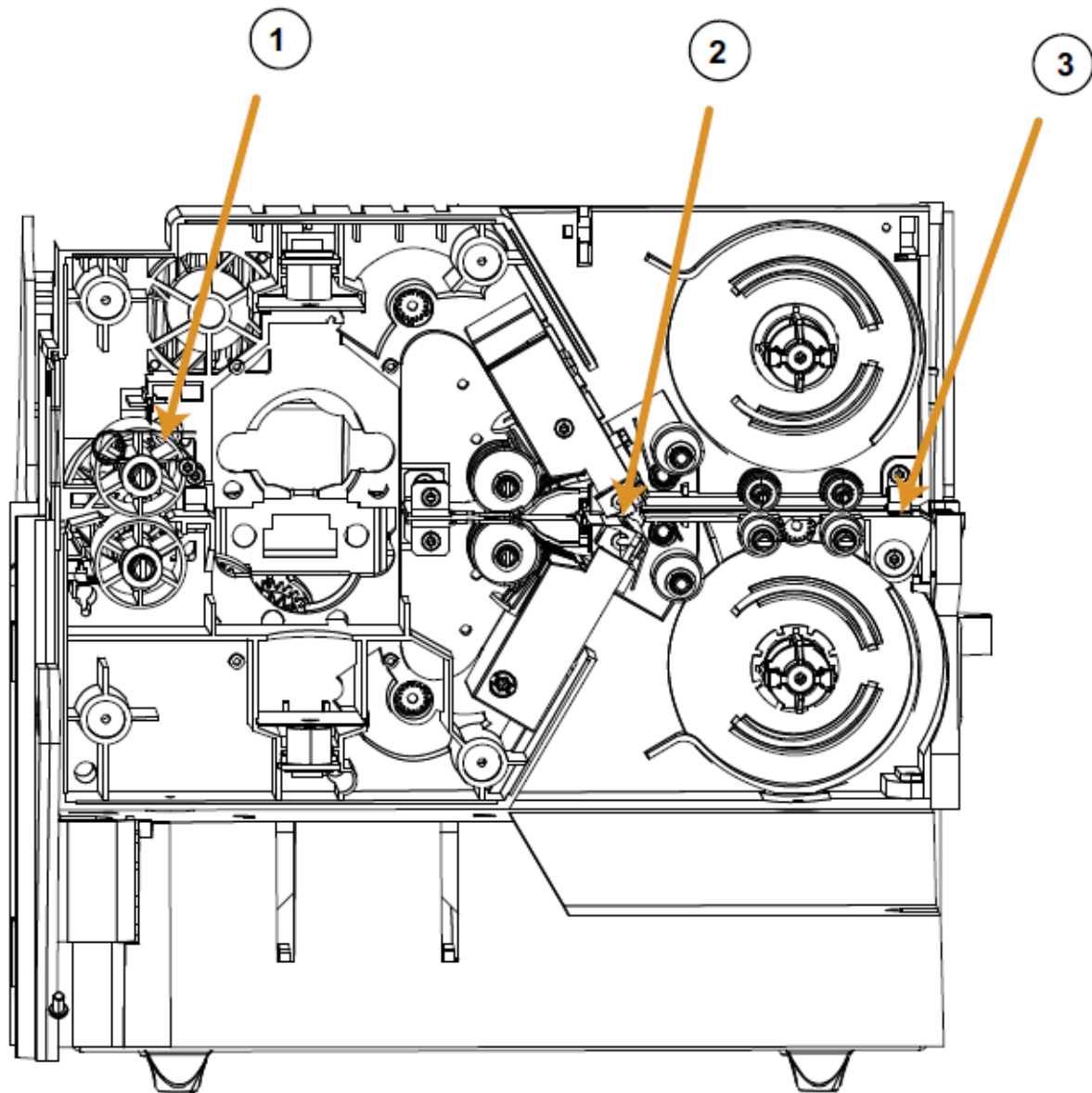
Item Number	Description	Part Number	Kit Quantity
1	Kit Spindle for Upper Cassette	105936G-527	1
2	Kit Cassette Laminate Top	105936G-546	1
3	Kit Cassette Laminate Bottom	105936G-547	1
4	Kit Spindle for Lower Cassette	105936G-528	1



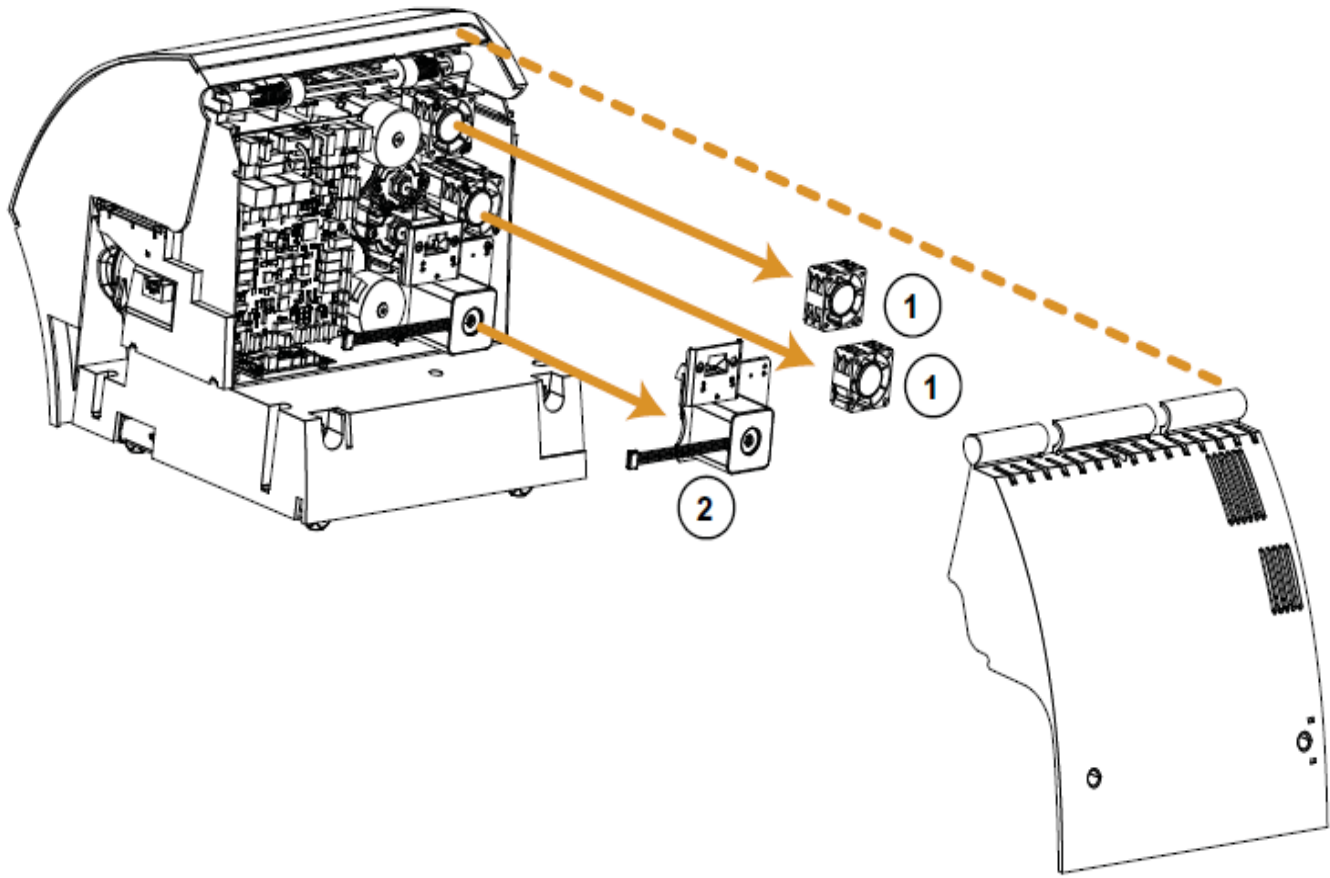
Item Number	Description	Part Number	Kit Quantity
1	Kit Exit Roller Assembly	105936G-526	1
2	Kit Thermopile Module (Same module for upper and lower)	105936G-518	1
Not Shown	Kit Upper Cable for Thermopile Module	105936G-530	1
Not Shown	Kit Lower Cable for Thermopile Module	105936G-531	1
3	Kit Laminate Roller	105936G-523	1
4	Kit Upper Cutter Assembly	105936G-522	1
5	Kit Lower Cutter Assembly	105936G-508	1
6	Kit Static Brush (60mm)	105936G-515	1



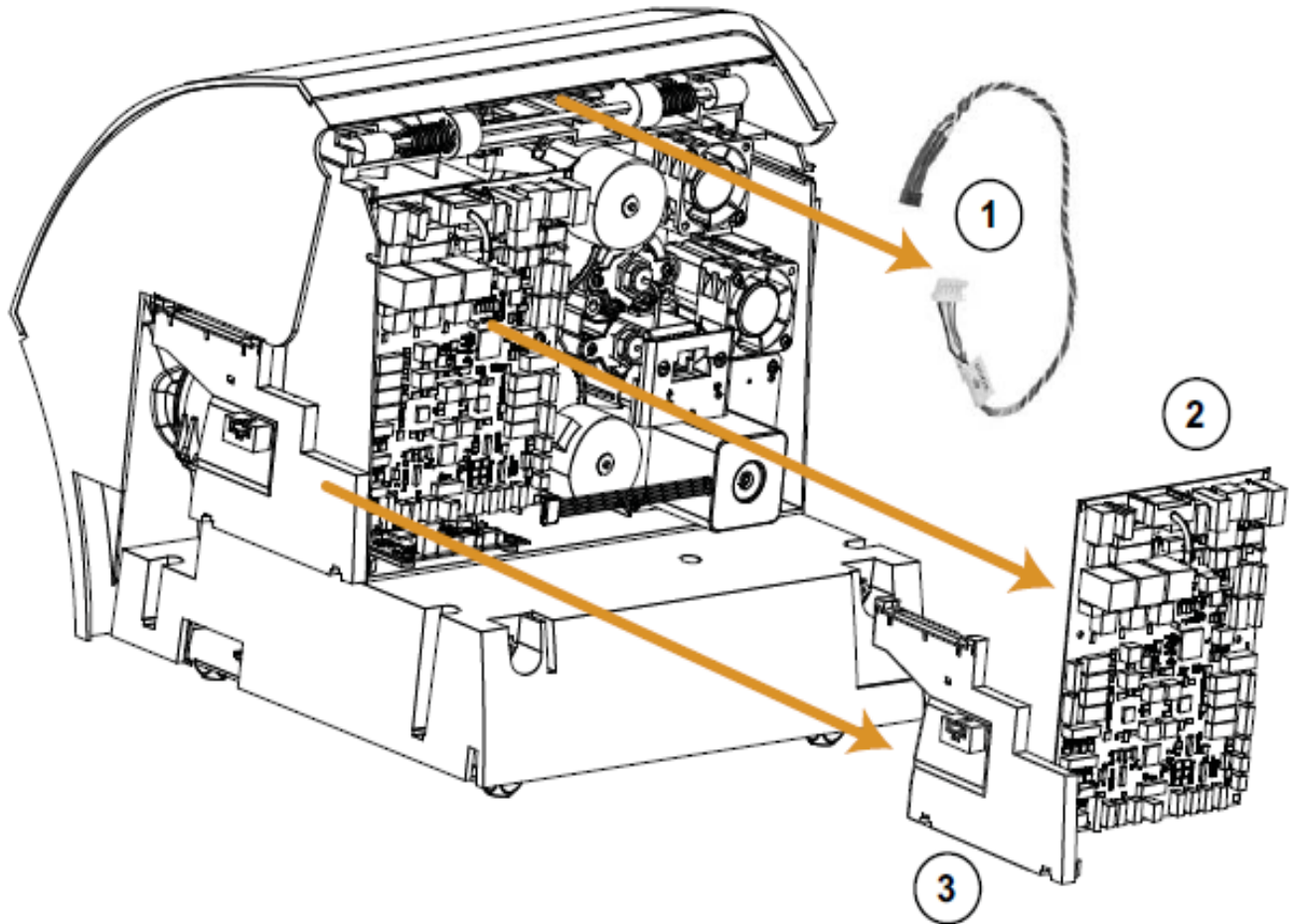
Item Number	Description	Part Number	Kit Quantity
1	Kit Platen Overrun	105936G-525	1
2	Kit Flexible Ribbed Roller	105936G-521	1
3	Kit Card Staging Nip Roller	105936G-524	1



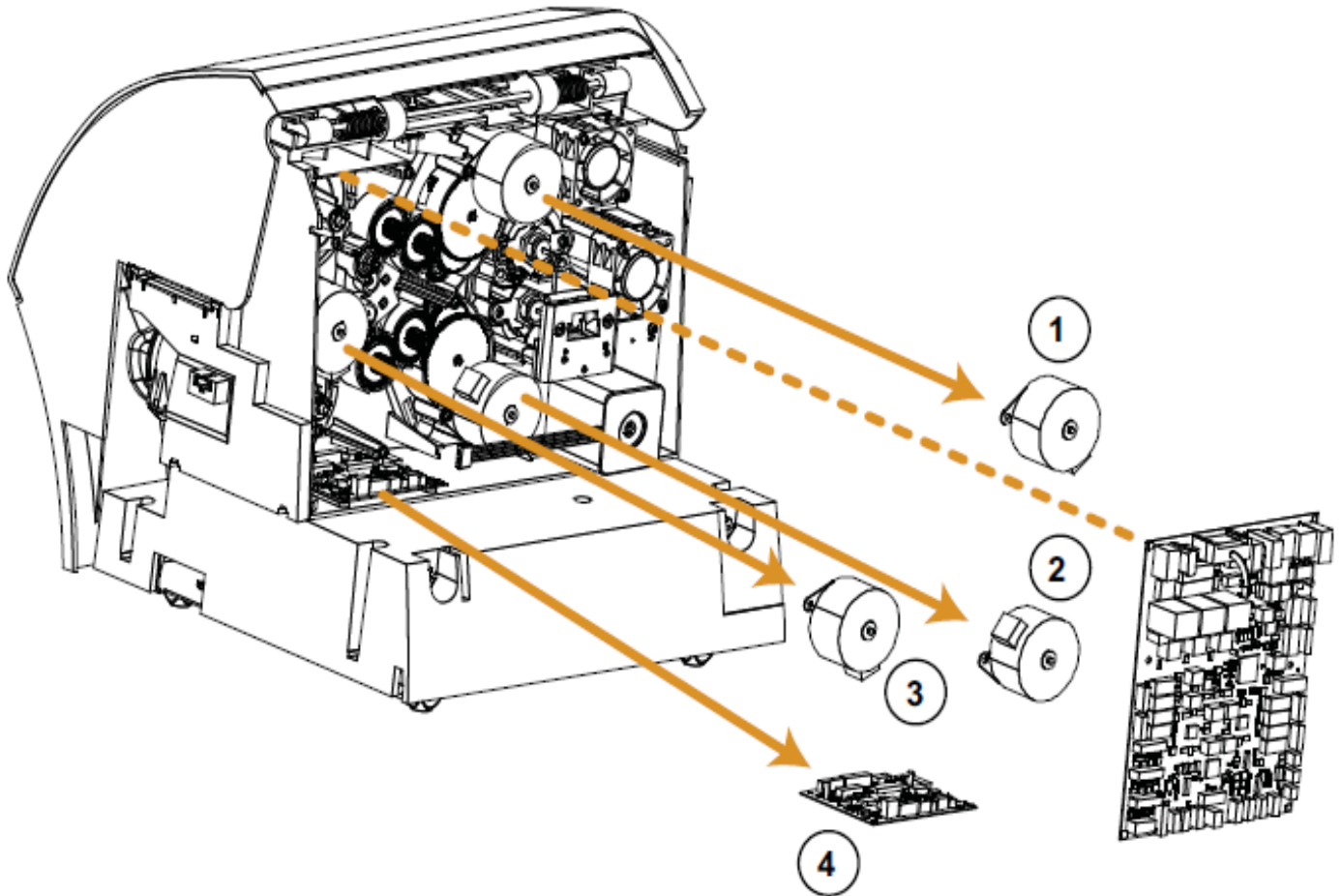
Item Number	Description	Part Number	Kit Quantity
1	Kit Card Exit Sensor	105936G-534	1
2	Kit Card Laminate Sensor	105936G-533	1
3	Kit Card Entry Sensor	105936G-532	1



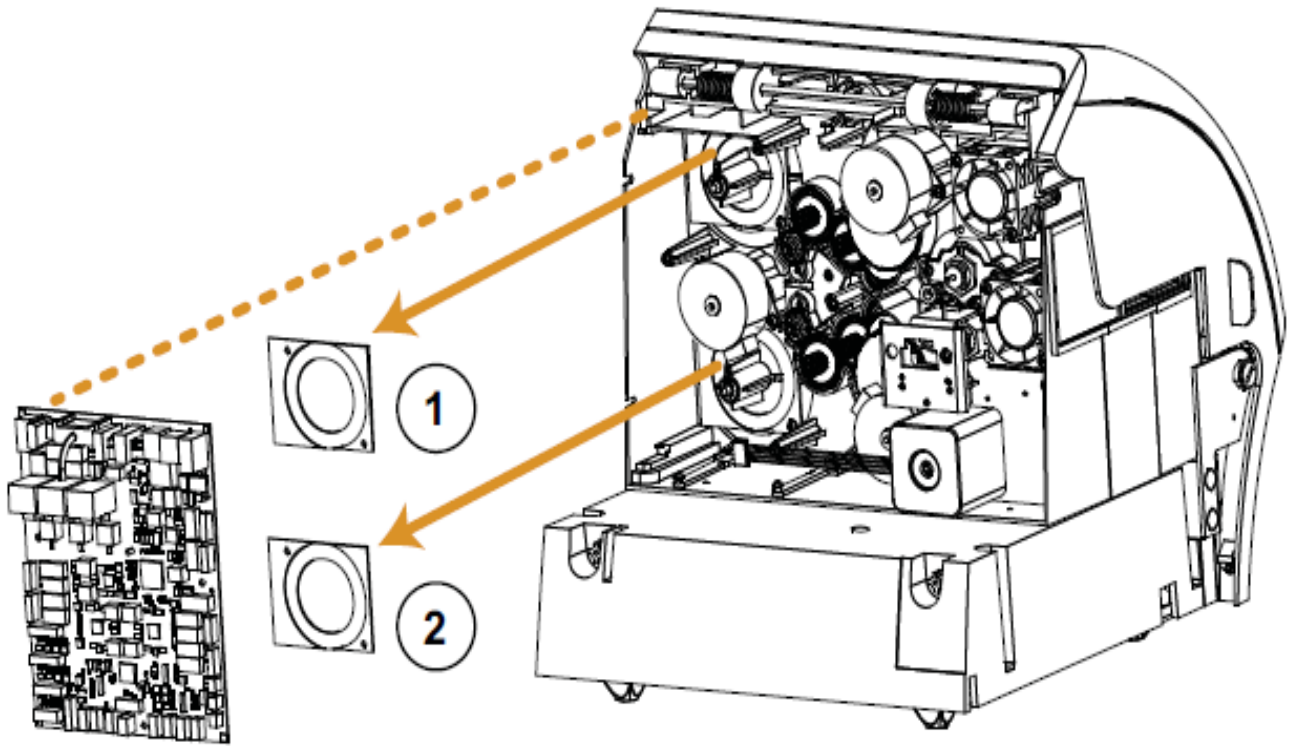
Item Number	Description	Part Number	Kit Quantity
1	Kit Laminator Fan Assembly	105936G-503	1
2	Kit Laminator Drive Motor Assembly	105936G-511	1



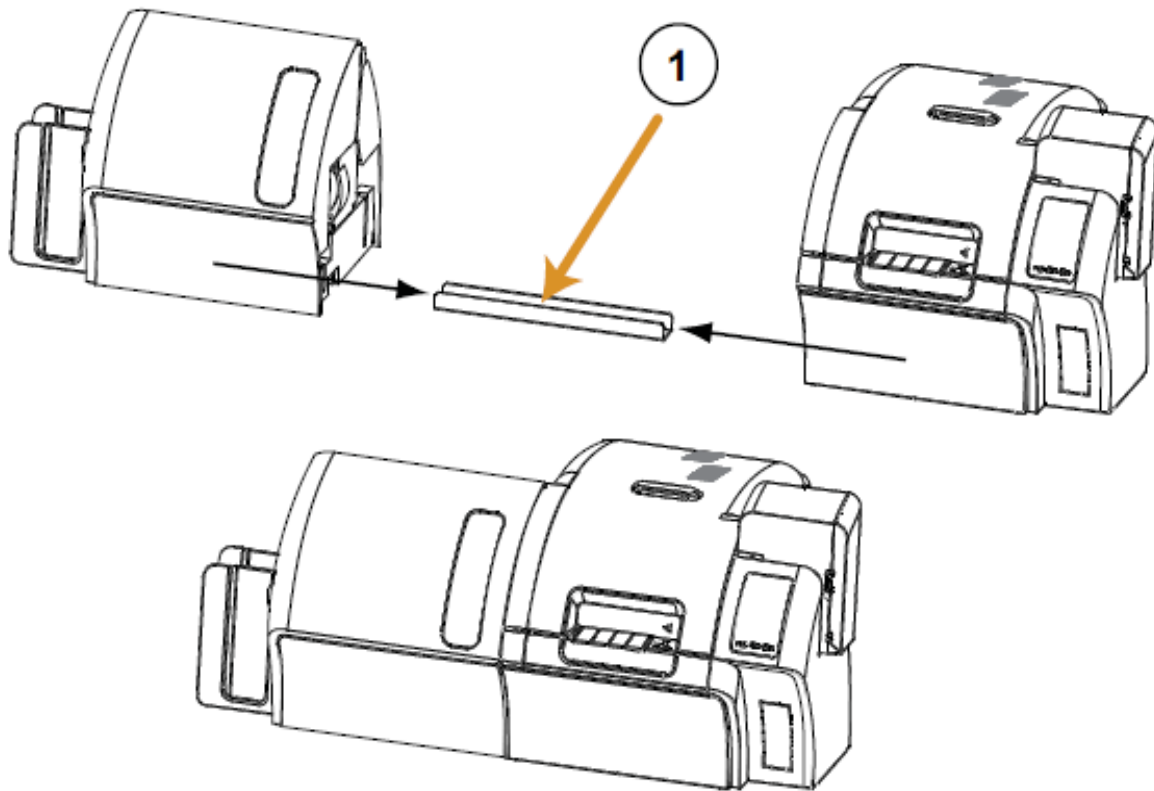
Item Number	Description	Part Number	Kit Quantity
1	Kit Laminator Door Sensor	105936G-537	1
2	Kit Laminator Main Controller PCBA	105936G-560	1
3	Kit Cruciform Assembly	105936G-501	1



Item Number	Description	Part Number	Kit Quantity
1	Kit Upper Laminator Control Motor	105936G-512	1
2	Kit Lower Laminator Control Motor	105936G-513	1
3	Kit Staging Motor	105936G-514	1
4	Kit Media Authentication PCBA	105936G-520	1



Item Number	Description	Part Number	Kit Quantity
1	Kit Upper Antenna PCBA for Media Authentication	105936G-704	1
2	Kit Lower Antenna PCBA for Media Authentication	105936G-736	1



Item Number	Description	Part Number	Kit Quantity
1	Kit Beam for Laminator	105936G-500	1

Printer and Laminator Packaging

Item Number	Description	Part Number	Kit Quantity
Not Shown	Kit Packaging for Printer Only	105936G-338	1
Not Shown	Kit Packaging for Laminator Only	105936G-538	1
Not Shown	Kit Packaging for Printer and Laminator (for printer with attached Laminator)	105936G-739	1

1



2



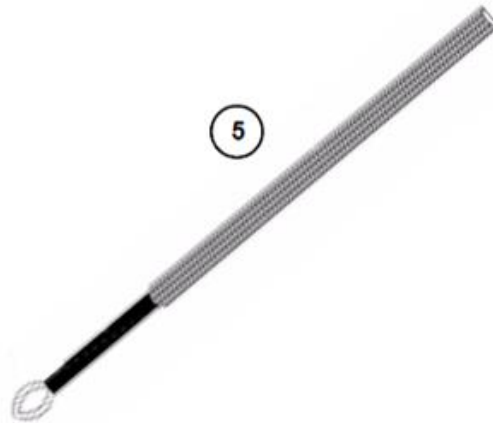
3



4



5



Tools

Item Number	Description	Part Number	Kit Quantity
1	Kit Torque Adjustment	105936-046	1
2	Kit INTM Payout	105936-047	1
3	Kit INTM Takeup	105936-048	1
4	Kit PCBA Removal	105936-056	1
5	Kit Cable Routing	105936-057	1
Not Shown	Master Kit (contains all five kits above)	105936-058	1