

Honeywell

8675i Accessories

MB8-BAT-SCN10, MB24-BAT-SCN10, MB4-SCN10,
MB12-SCN10, MB1-SCN10, 8675i505RHSG,
8675i505LHSG

User Guide

Disclaimer

Honeywell International Inc. (“HII”) reserves the right to make changes in specifications and other information contained in this document without prior notice, and the reader should in all cases consult HII to determine whether any such changes have been made. HII makes no representation or warranties regarding the information provided in this publication.

HII shall not be liable for technical or editorial errors or omissions contained herein; nor for incidental or consequential damages resulting from the furnishing, performance, or use of this material. HII disclaims all responsibility for the selection and use of software and/or hardware to achieve intended results.

This document contains proprietary information that is protected by copyright. All rights are reserved. No part of this document may be photocopied, reproduced, or translated into another language without the prior written consent of HII.

Copyright © 2021-2022 Honeywell International Inc. All rights reserved.

Web Address: sps.honeywell.com

Trademarks

Other product names or marks mentioned in this document may be trademarks or registered trademarks of other companies and are the property of their respective owners.

Patents

For patent information, refer to www.hsmpats.com.

TABLE OF CONTENTS

Customer Support	vii
Technical Assistance	vii
Product Service and Repair	vii
Limited Warranty	vii
Chapter 1 - Introduction	1
Chapter 2 - Device Chargers	3
Out of the Box	3
Features	4
Connect Power	4
MB4-SCN10	4
MB12-SCN10.....	5
Charge the Battery.....	5
Status LED	6
Mount a 4-Bay Charger	6
Option 1	7
Option 2.....	7
Product Specifications.....	8
MB4-SCN10	8
MB12-SCN10.....	9
Required Safety Labels	10
Chapter 3 - Battery Chargers.....	11
Out of the Box	11

Features.....	12
Connect Power.....	13
MB8-BAT-SCN10.....	13
MB24-BAT-SCN10.....	13
Charge the Battery.....	14
Status LED.....	14
Mount an 8-Bay Battery Charger.....	14
Option 1.....	15
Option 2.....	15
Product Specifications.....	16
MB8-BAT-SCN10.....	16
MB24-BAT-SCN10.....	17
Required Safety Labels.....	18

Chapter 4 - USB Cup 19

Out of the Box.....	19
Charge the 8675i.....	19
Status LED.....	20
Product Specifications.....	20
MB1-SCN10.....	20
Required Safety Labels.....	21

Chapter 5 - Glove 23

Out of the Box.....	23
Glove Features.....	24
Front.....	24
Back.....	24
Connect the 8675i to the Glove.....	25
Connect the Trigger Ring to the Glove.....	26
Wear the Glove.....	27
Remove the 8675i from the Glove.....	28
Remove the Trigger Ring from the Glove.....	29

Scan a Barcode29

Customer Support

Technical Assistance

Go to sps.honeywell.com and select **Support** to search our knowledge base for a solution or to log into the Technical Support portal.

Product Service and Repair

Honeywell International Inc. provides service for all of its products through service centers throughout the world. Go to sps.honeywell.com and select **Support** to find a service center near you or to get a Return Material Authorization number (RMA #) before returning a product.

Limited Warranty

For warranty information, go to sps.honeywell.com and select **Support > Warranties**.

INTRODUCTION

Honeywell offers a full range of accessories for the 8675i, including multi-bay battery and device chargers, USB cup charger, and glove.

The accessories included in this guide are compatible with 8675i scanners.

- 8 and 24 Bay Battery Chargers (MB8-BAT-SCN10 and MB24-BAT-SCN10)
- 4 and 12 Bay Device Chargers (MB4-SCN10 and MB12-SCN10)
- USB Cup (MB1-SCN10)
- Glove (8675i505RHSG or 8675i505LHSG)

For a complete list of accessories for your scanner and their part numbers see the *Accessory Guide* for your device, available for download at 8675i.sps.honeywell.com.



Caution: We recommend the use of Honeywell accessories and power adapters. Use of any non-Honeywell accessories or power adapters may cause damage not covered by the warranty.

Mise en garde : Il est recommandé d'utiliser les périphériques, les cordons d'alimentation et les adaptateurs secteur conçus par Honeywell. L'utilisation de tout périphérique, cordon d'alimentation ou adaptateur secteur d'une autre marque est susceptible de provoquer des dommages non couverts par la garantie.



Caution: Make sure that all components are dry prior to using the computers and batteries with accessories. Using wet components may cause damage not covered by the warranty.

Mise en garde : Assurez-vous que tous les composants sont secs avant de connecter les terminaux/batteries à des périphériques. L'insertion de composants humides risque de provoquer des dommages non couverts par la garantie.

DEVICE CHARGERS

The 8675i 4-Bay Device Charger (MB4-SCN10) and 12-Bay Device Charger (MB12-SCN10) simultaneously charges four or twelve 8675i scanners. The device chargers are also a communication base with a USB client connector (Type B).

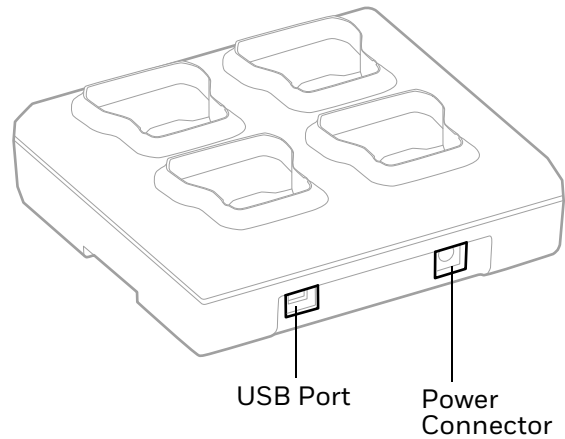
Out of the Box

Make sure that your shipping box contains these items:

- 4-Bay Device Charger (MB4-SCN10) or 12-Bay Device Charger (MB12-SCN10)
- Power supply
- Power cord (if purchased)
- Product documentation

If any of these items are missing or appear damaged, contact your Customer Account Representative. Keep the original packaging in the event that you need to return the base for service or if you want to store the charger while not in use.

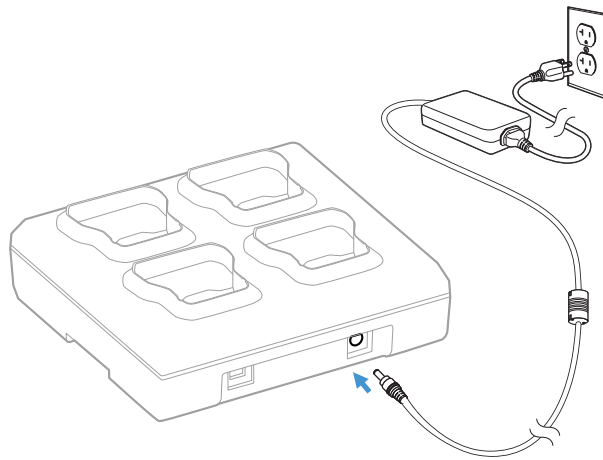
Features



Connect Power

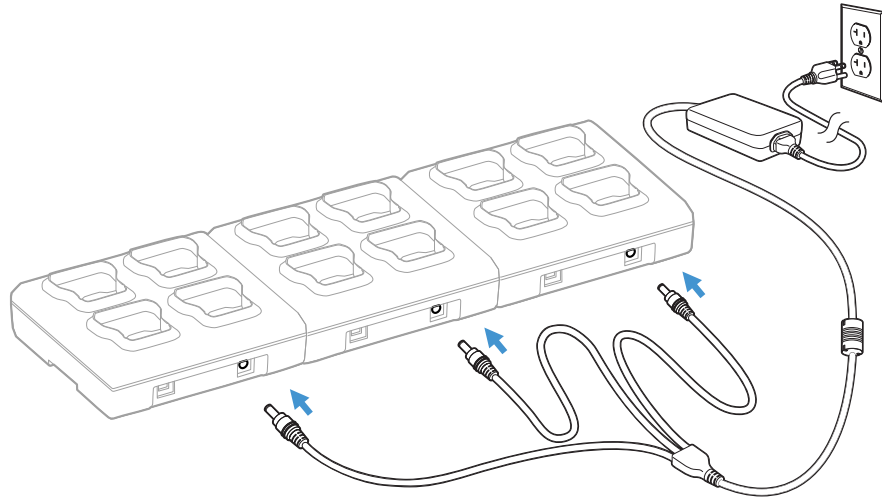
MB4-SCN10

Use only a UL Listed power supply that has been qualified by Honeywell with an output rated at 12VDC and 3A with the device. The power supply input rating is 100-240V, 50/60Hz, and 1.5A. Operating temperature 32°F to 122°F (0°C to 50°C).



MB12-SCN10

Use only a UL Listed power supply that has been qualified by Honeywell with an output rated at 12VDC and 8.5A with the device. The power supply input rating is 85-264V, 47/63Hz. Operating temperature 32°F to 122°F (0°C to 50°C).

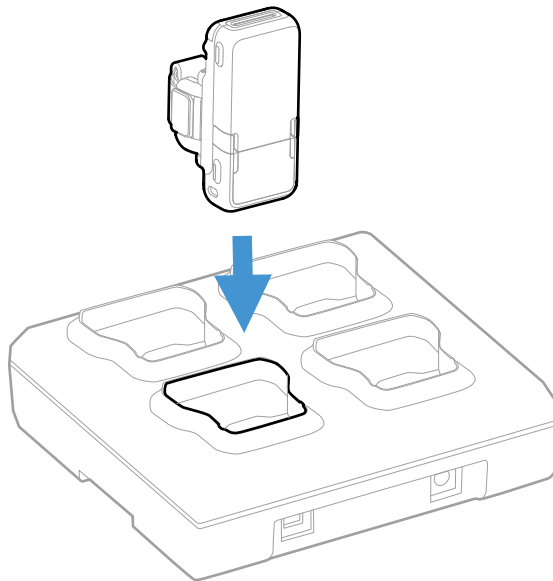


Charge the Battery



Caution: Ensure all components are dry prior to mating batteries with peripheral devices. Mating wet components may cause damage not covered by the warranty.

Insert the scanner into the charger. The scanner will not charge unless a battery is installed. The LED on the scanner will blink green when the scanner is properly inserted.



Status LED

The device LED's are used as indicators for the battery status.

LED Status	Indicates
Green blinking	The battery has been inserted.
Green solid	The battery is greater than 96% charged.
Yellow solid	The battery is charging and is 50% to 96% charged.
Red solid	The battery is charging and is less than 50% charged.
Red blinking	There is a battery fault or error.
Off	No battery is installed, or the battery is improperly installed.

Mount a 4-Bay Charger

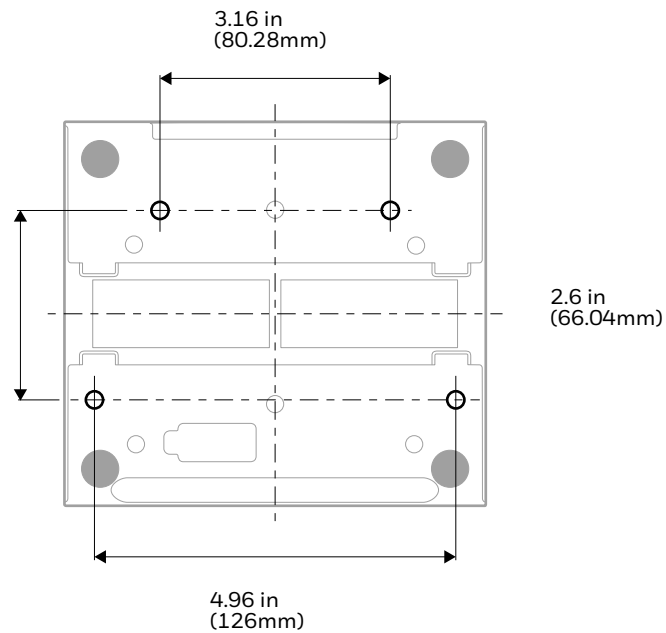
Note: Mounting information applies only to the 4-bay MB4-SCN10 battery charger. It does not apply to the 12-bay MB12-SCN10 battery charger.

The 4-bay charger should be on a dry, stable surface and can be mounted on a flat, horizontal surface such as a desktop or workbench. When choosing a location, always keep in mind:

- The mounting location must allow users easy access to the power connector.
- The charger should be oriented so that users can easily insert and remove scanners and see the LED indicators on the scanner.

Option 1

Use the four SL-B M3.5 x 8 screws to mount the charger to a flat, horizontal surface.



Option 2

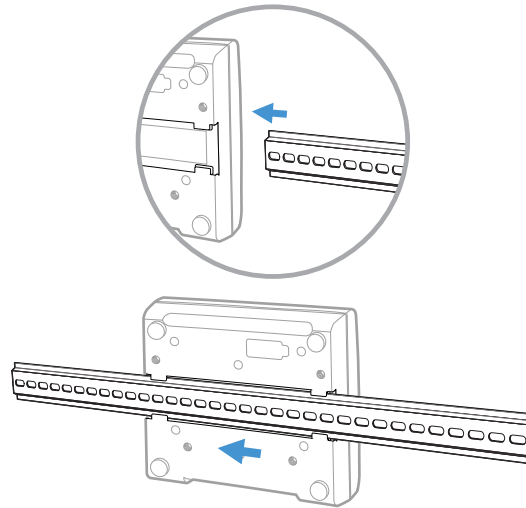
The DIN rail slot on the bottom panel enables secure mounting to a charge rack.

Hardware Required

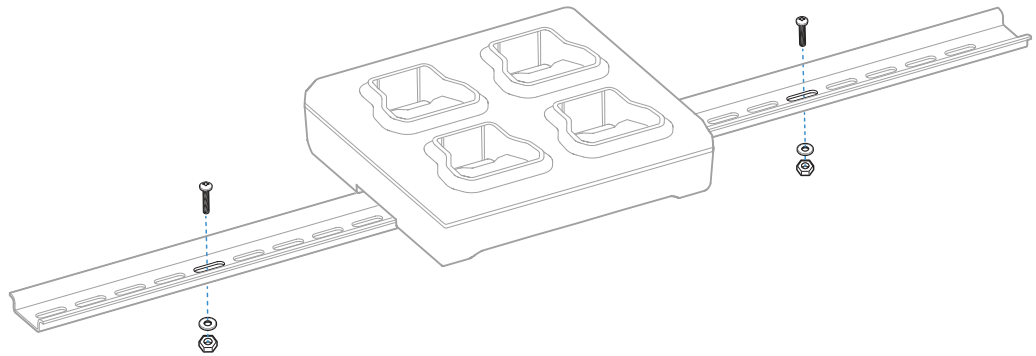
- DIN rail
- 3/16 in. dia. x 5/8 in. long pan head screw
- 1/2 in. OD x 7/32 in. ID x 3/64 in. thick flat washer
- 3/16 in. dia. nut

Installation

1. Slide the DIN rail into the DIN rail slot on the bottom of the charger.



2. Secure the DIN rail to the flat surface with the hardware.



Product Specifications

MB4-SCN10

Parameter	Specification
Mechanical	
Height	1.81 inches (46 mm)
Length	5.8 inches (147 mm)
Width	5.3 inches (134 mm)
Weight	14.1 oz (0.4 kg)

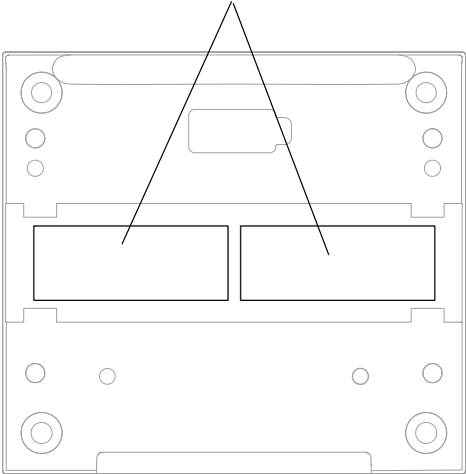
Parameter (Continued)	Specification
Electrical	
Voltage	5 volts
Current Draw	1A output for each port
Charge Time	3 hours at room temperature of 46°F to 91°F (8°C to 33°C) May be extended at temperatures lower than 46°F (8°C) or higher than 91°F (33°C)
Environmental	
Operating Temperature	32° F to 122° F (0° C to 50° C)
Storage Temperature	-4° F to 140° F (-20° C to 60° C)
Humidity	Up to 95% non-condensing
Mechanical Drop	Operational after 6 drops from 2.9 feet (0.9 m) to concrete
Vibration	2G Peak from 2Hz to 200Hz
ESD Sensitivity	Up to 15kV direct air Up to 8 kV contact and indirect

MB12-SCN10

Parameter	Specification
Mechanical	
Height	1.89 inches (48 mm)
Length	17.4 inches (441mm)
Width	5.3 inches (134 mm)
Weight	55.7 oz (1.58 kg)
Electrical	
Voltage	5 volts
Current Draw	1A output for each port
Charge Time	3 hours at room temperature of 46°F to 91°F (8°C to 33°C) May be extended at temperatures lower than 46°F (8°C) or higher than 91°F (33°C)
Environmental	
Operating Temperature	32° F to 122° F (0° C to 50° C)
Storage Temperature	-4° F to 140° F (-20° C to 60° C)
Humidity	Up to 95% non-condensing
Mechanical Drop	Operational after 6 drops from 2.9 feet (0.9 m) to concrete
Vibration	2G Peak from 2Hz to 200Hz
ESD Sensitivity	Up to 15kV direct air Up to 8 kV contact and indirect

Required Safety Labels

Compliance
Label Locations



BATTERY CHARGERS

The 8675i 8-Bay Battery Charger (MB8-BAT-SCN10) or 24-Bay Battery Charger (MB24-BAT-SCN10) simultaneously charges eight or twenty-four rechargeable Li-ion battery packs used in 8675i scanners.

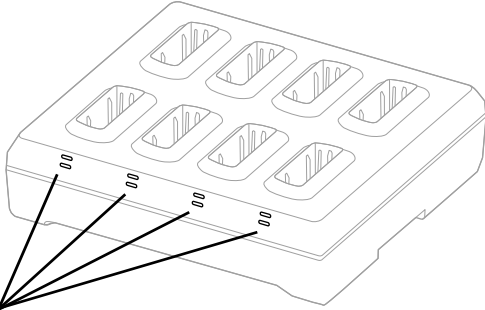
Out of the Box

Make sure that your shipping box contains these items:

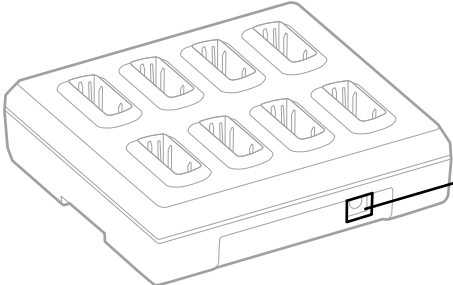
- 8-Bay Battery Charger (MB8-BAT-SCN10) or 24-Bay Battery Charger (MB24-BAT-SCN10)
- Power supply
- Power cord (if purchased)
- Product documentation

If any of these items are missing or appear damaged, contact your Customer Account Representative. Keep the original packaging in the event that you need to return the base for service or if you want to store the charger while not in use.

Features



Battery Status LEDs

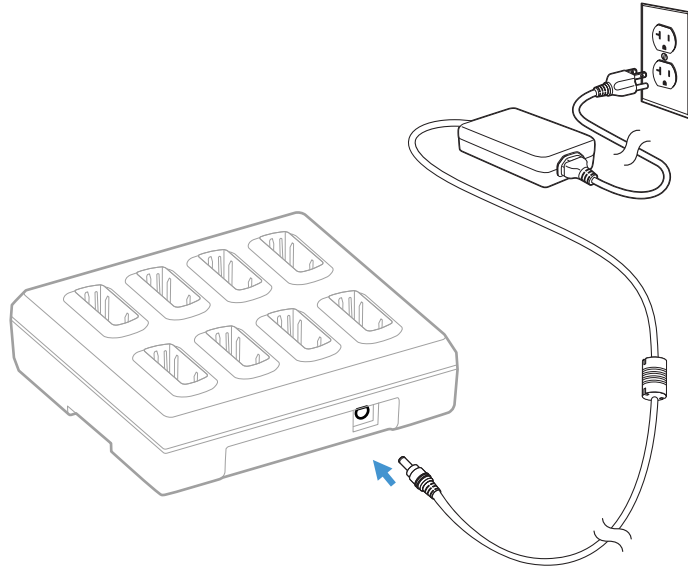


Power Connector

Connect Power

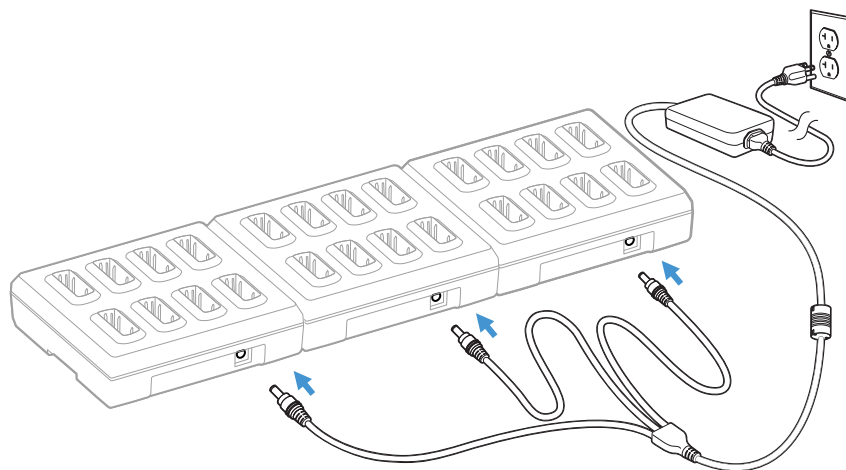
MB8-BAT-SCN10

Use only a UL Listed power supply that has been qualified by Honeywell with an output rated at 12VDC and 3A with the device. The power supply input rating is 100-240V, 50/60Hz. The operating temperature is 32°F to 122°F (0°C to 50°C).



MB24-BAT-SCN10

Use only a UL Listed power supply that has been qualified by Honeywell with an output rated at 12VDC and 8.5A with the device. The power supply input rating is 85-264V, 47/63Hz. The operating temperature is 32°F to 122°F (0°C to 50°C).

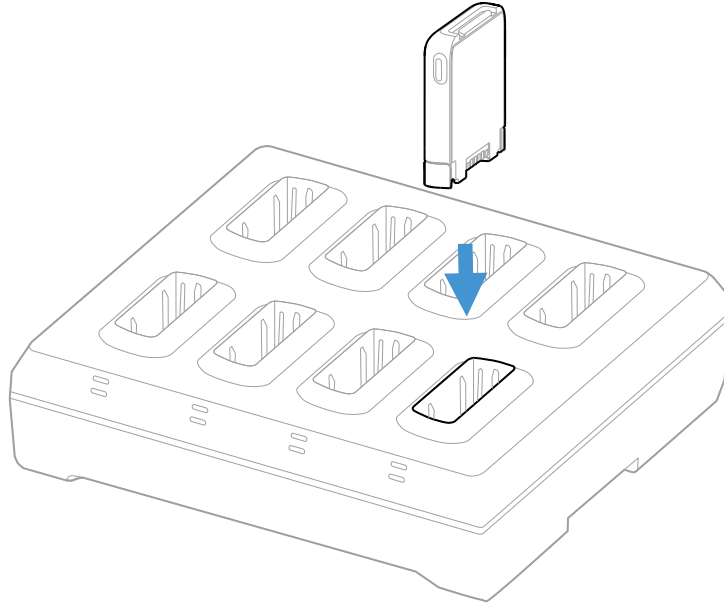


Charge the Battery



Caution: Ensure all components are dry prior to mating batteries with peripheral devices. Mating wet components may cause damage not covered by the warranty.

Insert the battery into the charger. The LED on the charger will blink green when the battery is properly inserted.



Status LED

Each charging slot has a dedicated status LED located in the front of the charger.

LED Status	Indicates
Green blinking	The battery has been inserted.
Green solid	The battery is greater than 96% charged.
Yellow solid	The battery is charging and is 50% to 96% charged.
Red solid	The battery is charging and is less than 50% charged.
Red blinking	There is a battery fault or error.
Off	No battery is installed, or the battery is improperly installed.

Mount an 8-Bay Battery Charger

Note: Mounting information applies only to the 8-bay MB8-BAT-SCN10 battery charger. It does not apply to the 24-bay MB24-BAT-SCN10 battery charger.

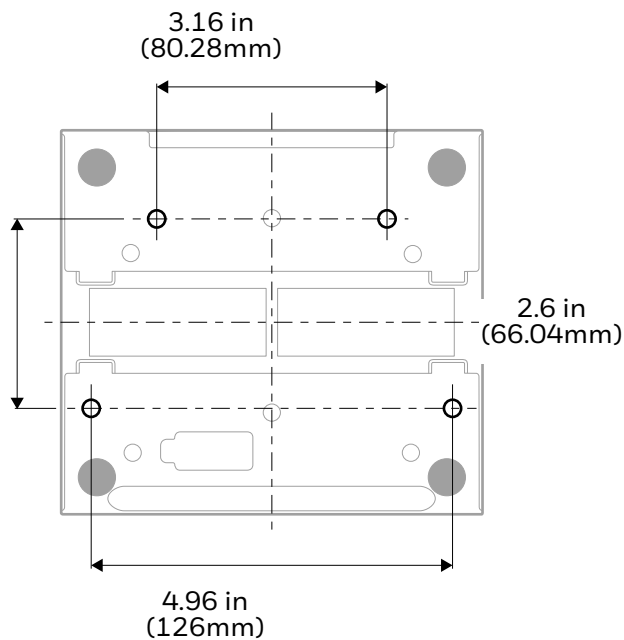
The 8-bay battery charger can be mounted to a flat surface, or to a DIN rail for a multi-bay charge rack installation.

The charger should be on a dry, stable surface and can be mounted on a flat, horizontal surface such as a desktop or workbench. When choosing a location, always keep in mind:

- The mounting location must allow users easy access to the power connector.
- The charger should be oriented so that users can easily insert and remove battery packs and see the LEDs.

Option 1

Use the four SL-B M3.5 x 8 screws to mount the charger to a flat, horizontal surface.



Option 2

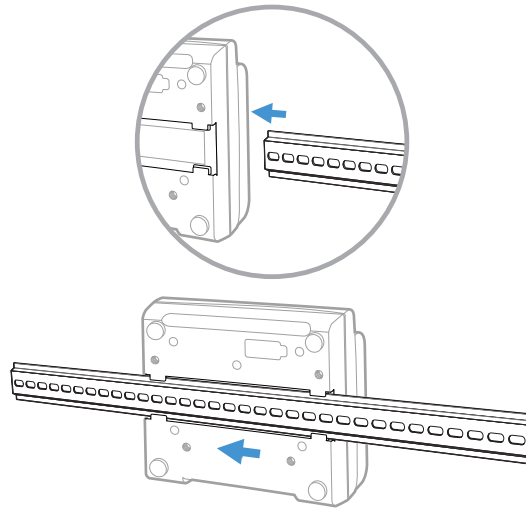
The DIN rail slot on the bottom panel enables secure mounting to a charge rack.

Hardware Required

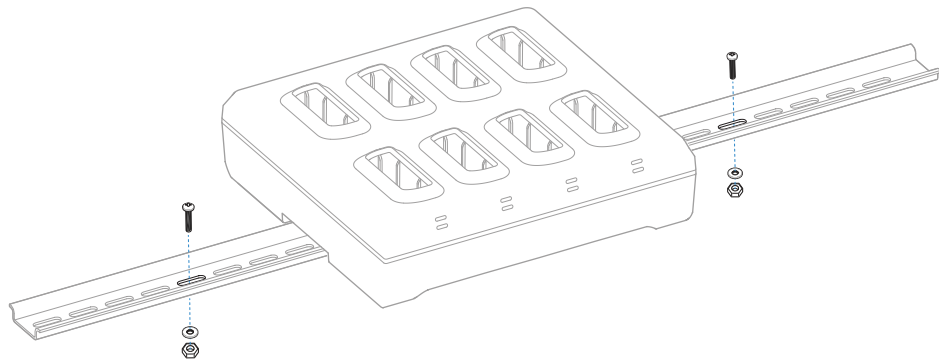
- DIN rail
- 3/16 in. dia. x 5/8 in. long pan head screw
- 1/2 in. OD x 7/32 in. ID x 3/64 in. thick flat washer
- 3/16 in. dia. nut

Installation

1. Slide the DIN rail into the DIN rail slot on the bottom of the charging station.



2. Using the appropriate hardware listed above, secure the DIN rail to the charge rack.



Product Specifications

MB8-BAT-SCN10

Parameter	Specification
Mechanical	
Height	1.75 inches (44.5 mm)
Length	5.8 inches (147 mm)
Width	5.3 inches (134 mm)

Parameter (Continued)	Specification
Weight	14.1 oz (0.4 kg)
Electrical	
Voltage	4.3 volts
Current Draw	1A output for each port
Charge Time	3 hours at room temperature of 46°F to 91°F (8°C to 33°C) May be extended at temperatures lower than 46°F (8°C) or higher than 91°F (33°C)
Environmental	
Operating Temperature	32° F to 122° F (0° C to 50° C)
Storage Temperature	-4° F to 140° F (-20° C to 60° C)
Humidity	Up to 95% non-condensing
Mechanical Drop	Operational after 6 drops from 2.9 feet (0.9 m) to concrete
Vibration	2G Peak from 2Hz to 200Hz
ESD Sensitivity	Up to 15kV direct air Up to 8 kV contact and indirect

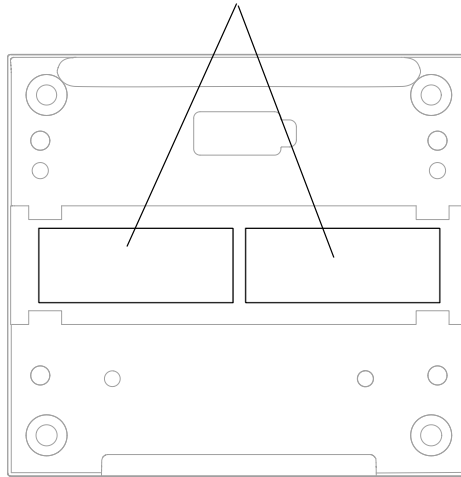
MB24-BAT-SCN10

Parameter	Specification
Mechanical	
Height	1.83 inches (46.5 mm)
Length	17.4 inches (441mm)
Width	5.3 inches (134 mm)
Weight	55.7 oz (1.58 kg)
Electrical	
Voltage	4.3 volts
Current Draw	1A output for each port
Charge Time	3 hours at room temperature of 46°F to 91°F (8°C to 33°C) May be extended at temperatures lower than 46°F (8°C) or higher than 91°F (33°C)
Environmental	
Operating Temperature	32° F to 122° F (0° C to 50° C)
Storage Temperature	-4° F to 140° F (-20° C to 60° C)
Humidity	Up to 95% non-condensing
Mechanical Drop	Operational after 6 drops from 2.9 feet (0.9 m) to concrete
Vibration	2G Peak from 2Hz to 200Hz

Parameter (Continued)	Specification
ESD Sensitivity	Up to 15kV direct air Up to 8 kV contact and indirect

Required Safety Labels

Compliance
Label Locations



Out of the Box

Make sure your shipping box contains these items:

- USB Cup (MB1-SCN10)
- Product Documentation

If any of these items are missing or appear damaged, contact your Customer Account Representative. Keep the original packaging in the event that you need to return the base for service or if you want to store the charger while not in use.

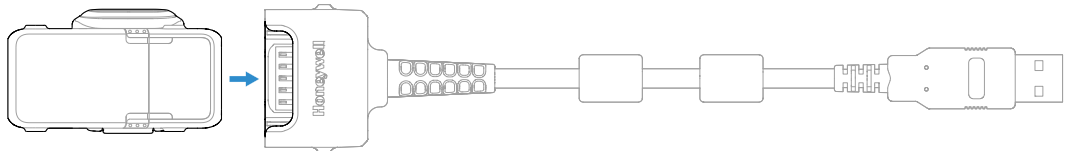
Charge the 8675i



Caution: Ensure all components are dry prior to mating batteries with peripheral devices. Mating wet components may cause damage not covered by the warranty.

Charge your scanner via the USB Cup by connecting it to a USB port on a host device. The operating temperature is 32°F to 122°F (0°C to 50°C).

1. Insert the 8675i into the USB cup.



2. Plug the USB connector into the USB port on a host device for at least 3.5 hours for a full charge.

Note: *Inadequate source current may lengthen the charge time or prevent the battery from charging if the terminal is drawings more current than supplied by the USB port.*

Status LED

The LEDs on the scanner indicates the battery charging status.

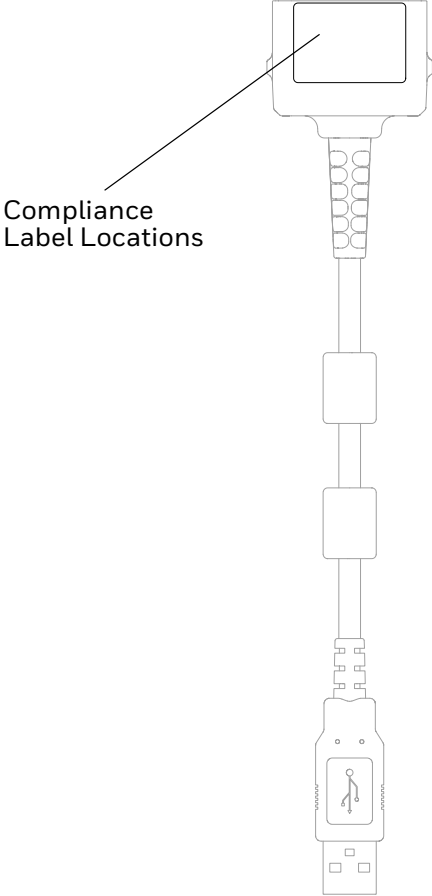
LED Status	Indicates
Green blinking	The battery has been inserted.
Green solid	The battery is greater than 96% charged.
Yellow solid	The battery is charging and is 50% to 96% charged.
Red solid	The battery is charging and is less than 50% charged.
Red blinking	There is a battery fault or error.
Off	No battery is installed, or the battery is improperly installed.

Product Specifications

MB1-SCN10

Parameter	Specification
Mechanical	
Height	51.6 inches (1310 mm) with cable
Length	1.47 inches (37.4 mm)
Width	1.1 inches (28 mm)
Weight	3.6 oz (102 g)
Electrical	
Voltage	5 volts
Current Draw	1A
Charge Time	3 hours at room temperature of 46°F to 91°F (8°C to 33°C) May be extended at temperatures lower than 46°F (8°C) or higher than 91°F (33°C)
Environmental	
Operating Temperature	14° F to 122° F (-10° C to 50° C)
Storage Temperature	-4° F to 140° F (-20° C to 60° C)
Humidity	Up to 95% non-condensing
Mechanical Drop	Operational after 6 drops from 2.9 feet (0.9 m) to concrete
Vibration	2G Peak from 2Hz to 200Hz
ESD Sensitivity	Up to 15kV direct air Up to 8 kV contact and indirect

Required Safety Labels



Out of the Box

Make sure that your shipping box contain:

- 8675i505RHSG or 8675i505LHSG Glove

Be sure to keep the original packaging in case you need to return the battery charger for service.



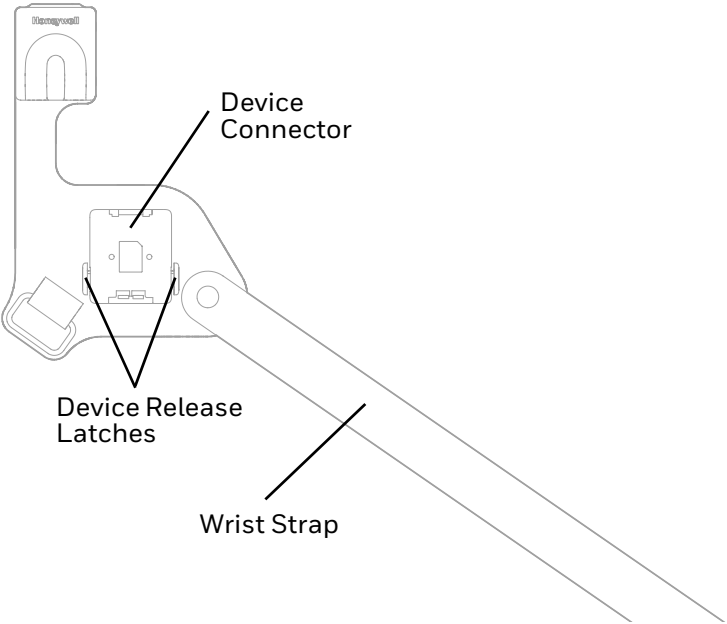
Caution: We recommend the use of Honeywell accessories and power adapters. Use of any non-Honeywell accessories or power adapters may cause damage not covered by the warranty.



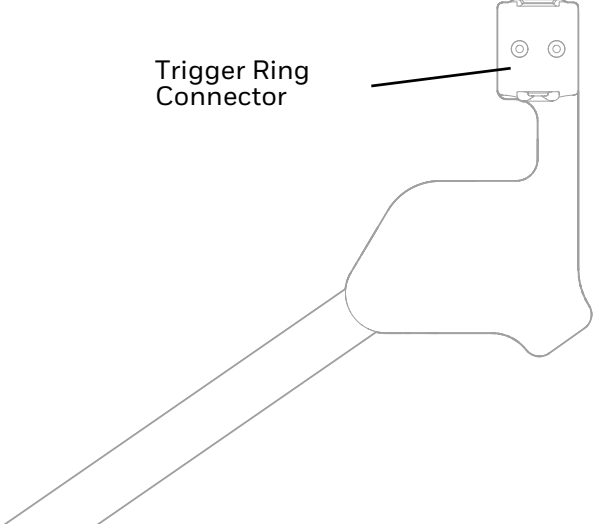
Mise en garde: Il est recommandé d'utiliser les périphériques, les cordons d'alimentation et les adaptateurs secteur conçus par Honeywell. L'utilisation de tout périphérique, cordon d'alimentation ou adaptateur secteur d'une autre marque est susceptible de provoquer des dommages non couverts par la garantie.

Glove Features

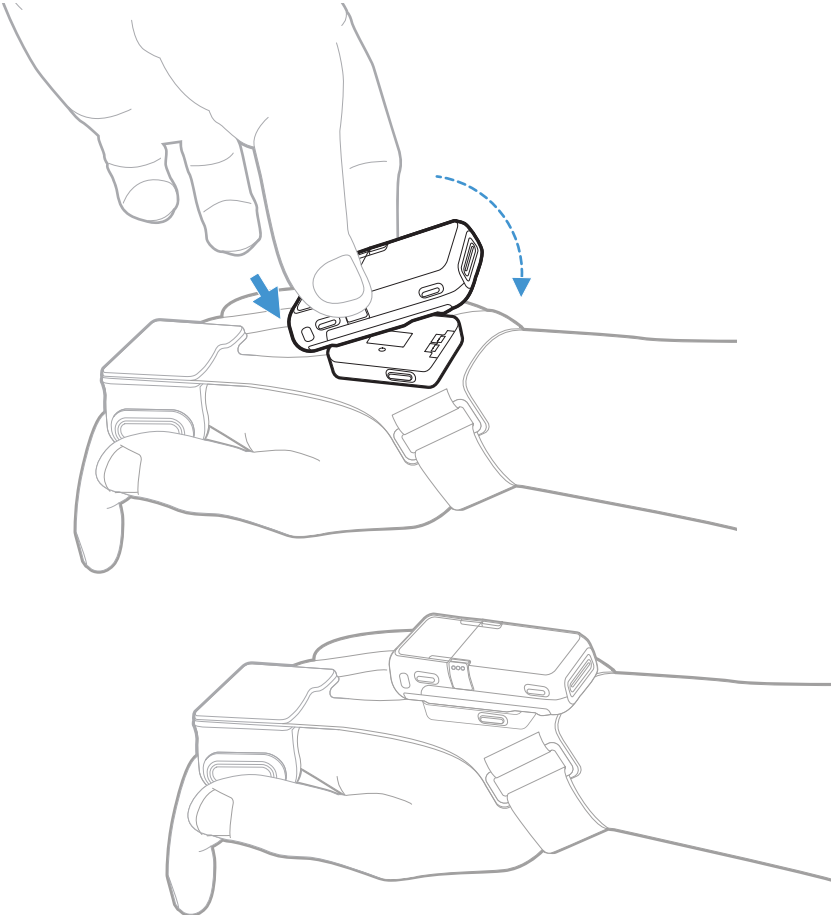
Front



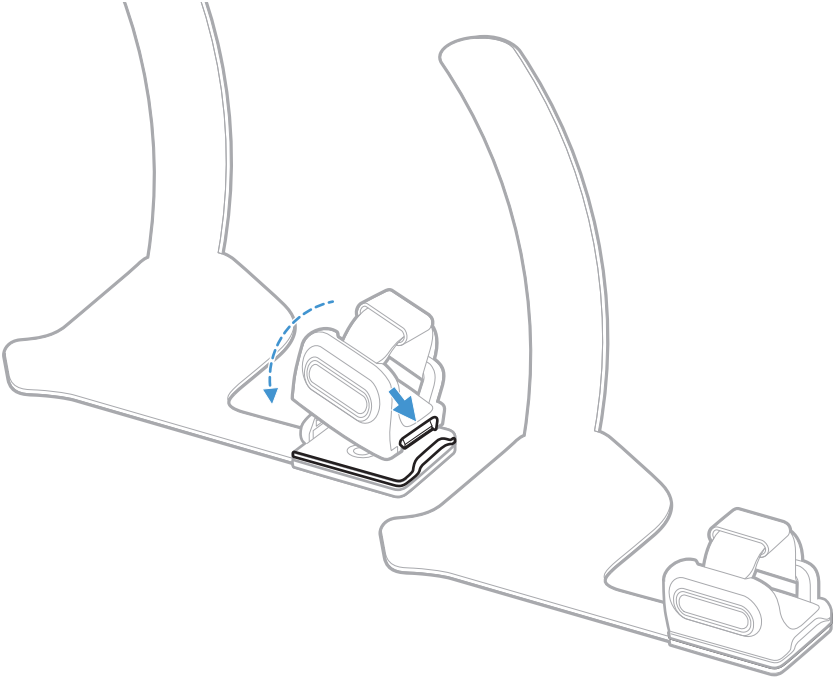
Back



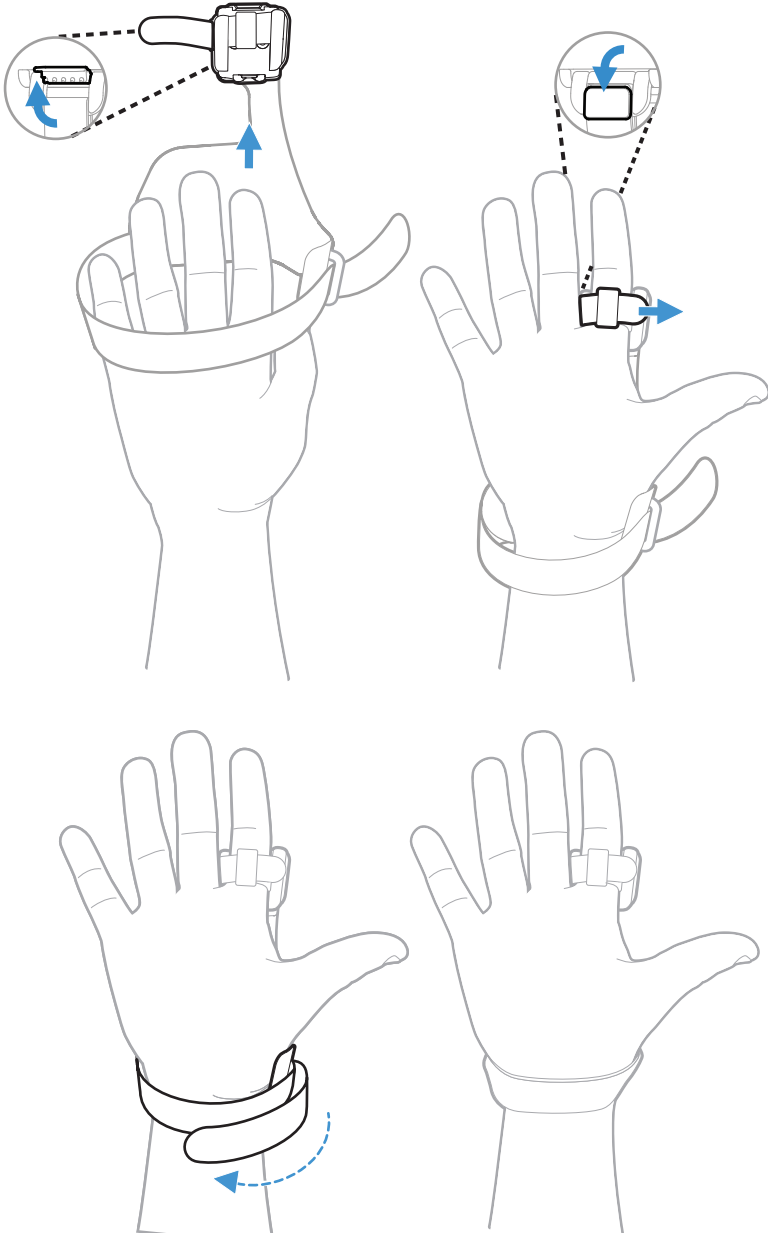
Connect the 8675i to the Glove



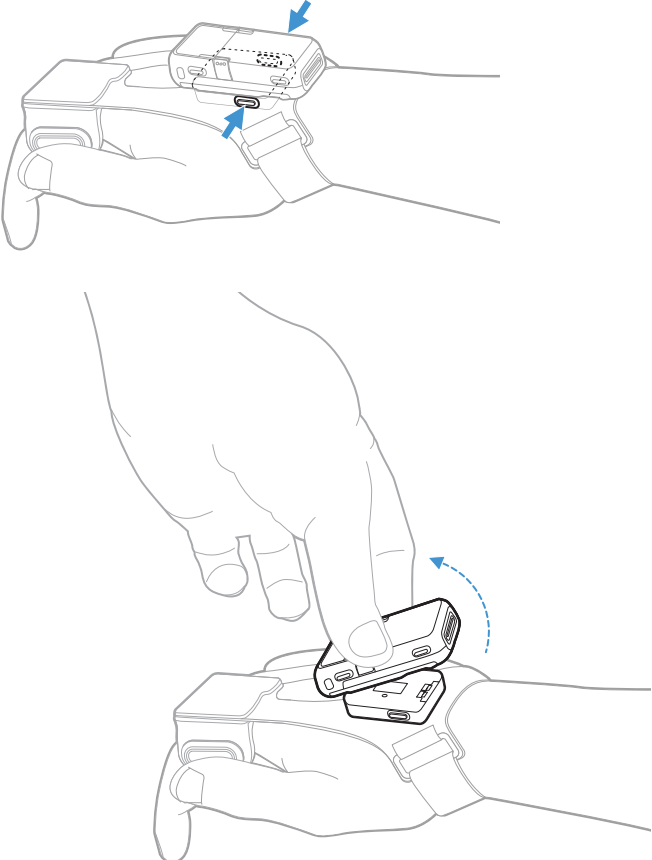
Connect the Trigger Ring to the Glove



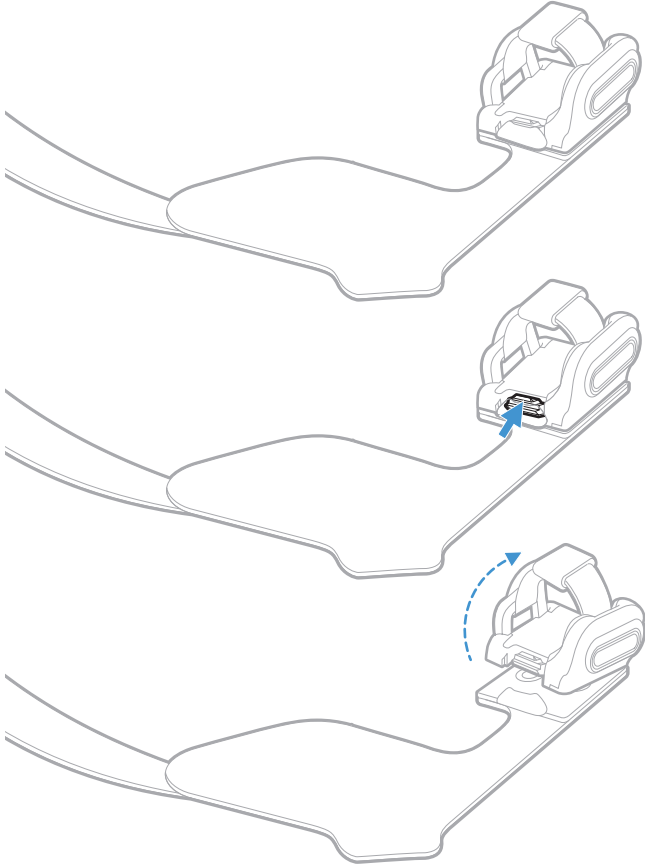
Wear the Glove



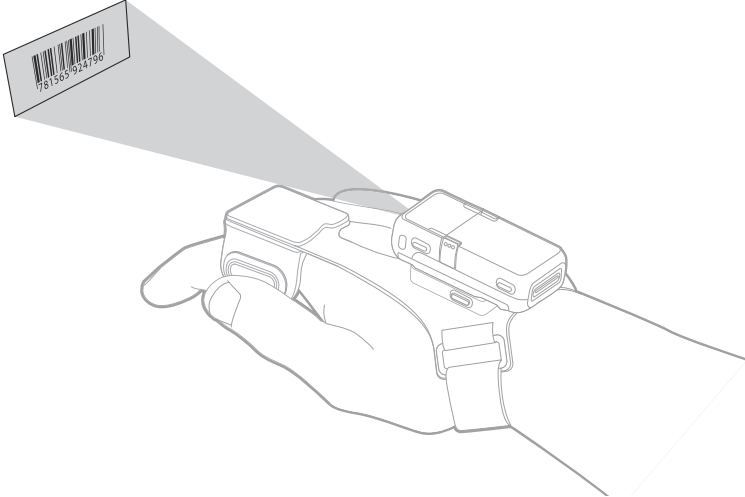
Remove the 8675i from the Glove



Remove the Trigger Ring from the Glove



Scan a Barcode



Honeywell
855 S. Mint St.
Charlotte, NC 28202

sps.honeywell.com