



## CT50/CT60 Vehicle Dock Series

Model CT50-MB  
For CT50 and CT60 Mobile Computers

### Quick Start Guide

#### Out of the Box

Make sure that your shipping box contains these items:

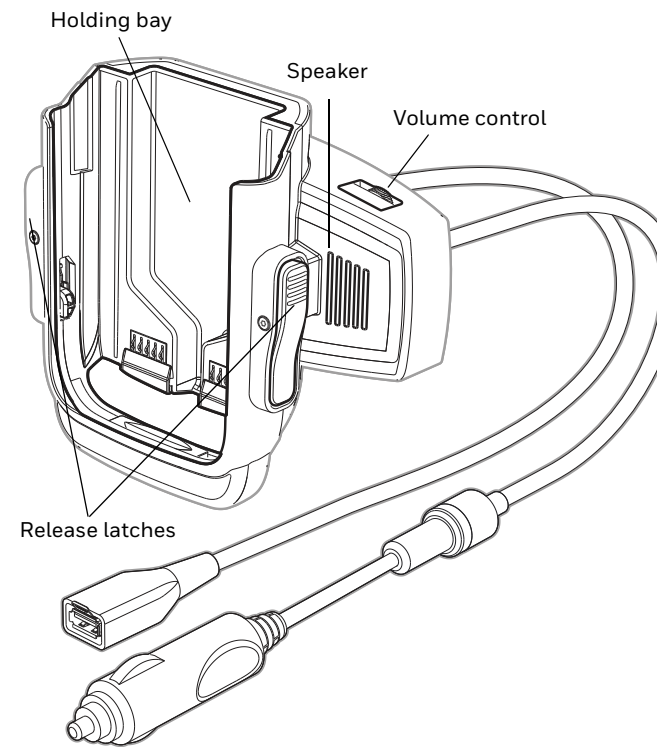
- Vehicle Dock
- Power cable (SKU/kit dependent)
- Product documentation

If any of these items are missing or appear damaged, contact your Customer Account Representative. Keep the original packaging in the event that you need to return the Vehicle Dock for service or if you want to store the charger while not in use.

**Caution:** We recommend the use of Honeywell accessories and power adapters. Use of any non-Honeywell accessories or power adapters may cause damage not covered by the warranty.

**Mise en garde:** Il est recommandé d'utiliser les périphériques, les cordons d'alimentation et les adaptateurs secteur conçus par Honeywell. L'utilisation de tout périphérique, cordon d'alimentation ou adaptateur secteur d'une autre marque est susceptible de provoquer des dommages non couverts par la garantie.

#### Front Features



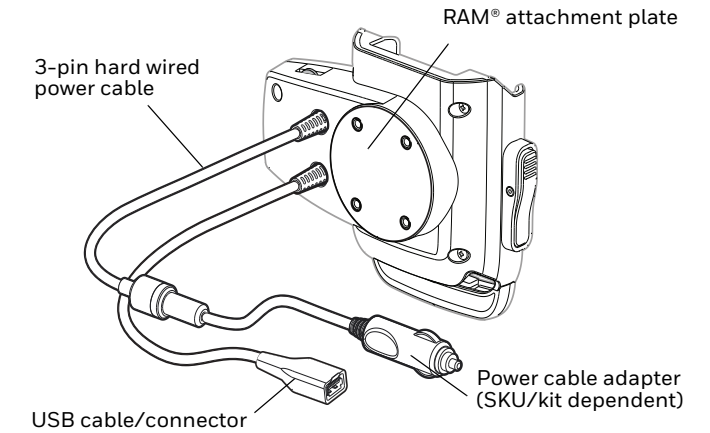
#### Connect Power

The vehicle that you connect the Vehicle Dock to should supply 2 A to the device. The operating temperature is -20 °C to 50 °C (-4 °F to 122 °F).

1. Connect the power cable adapter to a fused 12V power source on the vehicle.
  - When using the power adapter cable (shown in the image below), insert the adapter into the power socket.
  - When connecting to a vehicle fuse block using vehicle power connection kit 226-109-003 or 226-109-004 (sold separately), a qualified technician should perform the installation.

*Note:* If you require charging capabilities while the vehicle is turned off, connect the vehicle dock to an unswitched 12V source.

2. Screw the 3-pin connector on the vehicle dock power cable into the connector on the power cable adapter (SKU/kit dependent).
3. (Optional) Connect a secondary device (e.g., laptop, scanner, printer) to the USB communication cable on the vehicle dock. The USB cable can be mounted to a panel/bulkhead if desired. It can be tied out of the way if it is not used.



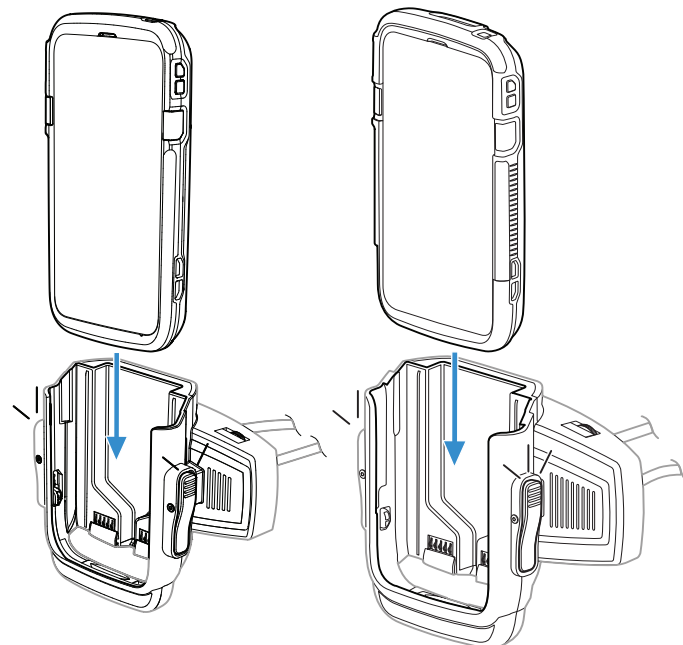
CT50-VD-MULT-QS Rev D  
05/21

#### Charge the Device

**Caution:** Make sure that all components are dry prior to using the computers and batteries with accessories. Using wet components may cause damage not covered by the warranty.

**Mise en garde :** Assurez-vous que tous les composants sont secs avant de connecter les terminaux/batteries à des périphériques. L'insertion de composants humides risque de provoquer des dommages non couverts par la garantie.

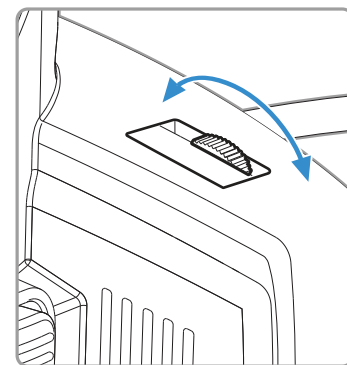
- Insert the device with battery installed into the vehicle dock until the latches click.



#### About the Volume Control

The vehicle dock has a built in volume control to enable you to hear the device in noisy environments.

- Rotate the volume control counter-clockwise to raise the volume.
- Rotate the volume control clockwise to lower the volume.



#### Mount the Vehicle Dock

You can mount the vehicle dock to your vehicle with a RAM mount.

Mounting hardware required:

- RAM mount
- Appropriate screws and nuts.

#### Agency Information

 UL and C-UL Statement UL and C-UL listed: UL 60950-1, Second Edition and CSA C22.2 No.60950-1-07, Second Edition.	 Norme UL et C-UL Homologué UL et C-UL : UL 60950-1, seconde édition et CSA C22.2 No.60950-1-07, seconde édition.
 RCM Mark Complies with ACMA regulatory arrangements.	 Customs Union Approval
 Mexico Conforms to NOM-019 Cumple con NOM-019 Está em conformidade com a NOM-	 NVCE
 이기기는가정용(가급)전자파적합기기로서주요가정에서 사용하는것을목적으로하며,모든지역에서사용할수있습니다.	

#### USA

#### FCC Part 15 Subpart B Class B

This device complies with part 15 of the FCC Rules. Operation is subject to the following two conditions:

1. This device may not cause harmful interference.
2. This device must accept any interference received, including interference that may cause undesired operation.

This equipment has been tested and found to comply with the limits for a Class B digital device pursuant to part 15 of the FCC Rules. These limits are designed to provide reasonable protection against harmful interference in a residential installation. This equipment generates, uses, and can radiate radio frequency energy and, if not installed and used in accordance with the instructions, may cause harmful interference to radio communications. However, there is no guarantee that interference will not occur in a particular installation. If this equipment does cause harmful interference to radio or television

reception, which can be determined by turning the equipment off and on, the user is encouraged to try to correct the interference by one or more of the following measures:

- Reorient or relocate the receiving antenna.
- Increase the separation between the equipment and receiver.
- Connect the equipment into an outlet on a circuit different from that to which the receiver is connected.
- Consult the dealer or an experienced radio or television technician for help.

If necessary, the user should consult the dealer or an experienced radio/television technician for additional suggestions. The user may find the following booklet helpful: "Something About Interference." This is available at FCC local regional offices. Honeywell is not responsible for any radio or television interference caused by unauthorized modifications of this equipment or the substitution or attachment of connecting cables and equipment other than those specified by Honeywell.

The correction is the responsibility of the user.

Use only shielded data cables with this system. This unit has been tested with cables less than 3 meters. Cables greater than 3 meters may not meet class B performance.

**Caution:** Any changes or modifications made to this equipment not expressly approved by Honeywell may void the FCC authorization to operate this equipment.

#### Canada

#### Industry Canada ICES-003

This Class B digital apparatus complies with Canadian ICES-003. Operation is subject to the following conditions:

1. This device may not cause harmful interference.
2. This device must accept any interference received, including interference that may cause undesired operation.

#### Conformité à la réglementation canadienne

Cet appareil numérique de la Classe B est conforme à la norme NMB-003 du Canada. Son fonctionnement est assujéti aux conditions suivantes :

