



# IH40

---

UHF RFID Reader

## Quick Start Guide

## Out of the Box

Make sure that your shipping box contains these items:

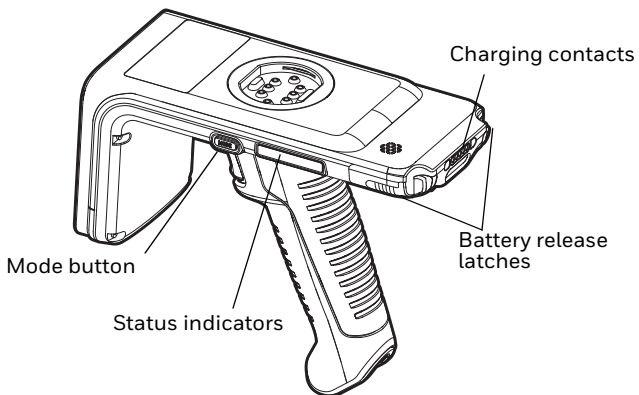
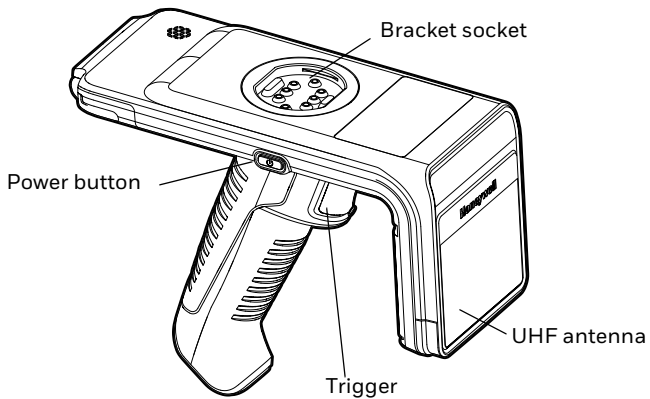
- IH40 UHF RFID Reader (Model IH40-0 or IH40-1)
- Rechargeable Li-ion battery (see page 3)
- Product documentation

If you ordered accessories for your RFID reader, verify that they are also included with the order. Be sure to keep the original packaging in case you need to return the reader for service.

## RFID Reader Features

The IH40 UHF RFID Reader provides Ultra High Frequency (UHF) Radio Frequency Identification (RFID) connected to a mobile terminal through USB and Bluetooth™. The unit can read and write to QR codes and UHF RFID tags.

**Note:** *RFID reader may differ slightly from illustrations depending on the model.*



## Battery Installation and Removal

The RFID reader ships with a Li-ion battery manufactured for Honeywell International Inc.



**We recommend use of Honeywell Li-ion battery packs. Use of any non-Honeywell battery may result in damage not covered by the warranty.**

**Nous recommandons l'utilisation de batteries Li-ion de la marque Honeywell. L'utilisation d'une batterie d'un autre fabricant est susceptible de provoquer des dommages non couverts par la garantie.**



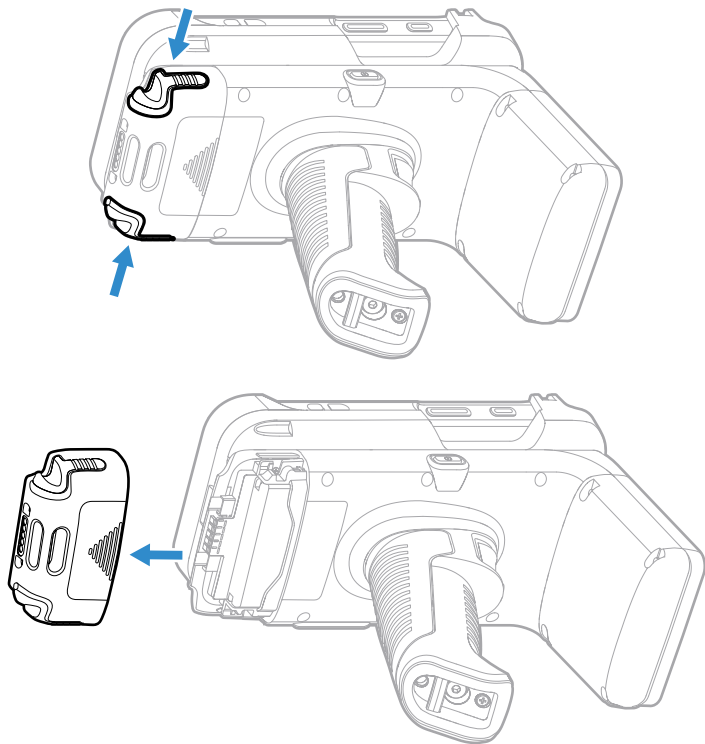
**Before you attempt to use, charge or replace the battery in the device, carefully read all labels, markings and product documentation provided in the box or online at [sps.honeywell.com](https://sps.honeywell.com). To learn more about Battery Maintenance for Portable Devices, go to [honeywell.com/PSS-BatteryMaintenance](https://honeywell.com/PSS-BatteryMaintenance).**

**Avant d'essayer d'utiliser, de charger ou de remplacer la batterie de l'appareil, lisez attentivement toutes les étiquettes, marquages et documentation du produit fournis dans la boîte ou en ligne à [sps.honeywell.com](https://sps.honeywell.com). Pour en savoir plus sur l'Entretien de Batteries pour Appareils Portables, consultez-le [honeywell.com/PSS-BatteryMaintenance](https://honeywell.com/PSS-BatteryMaintenance).**

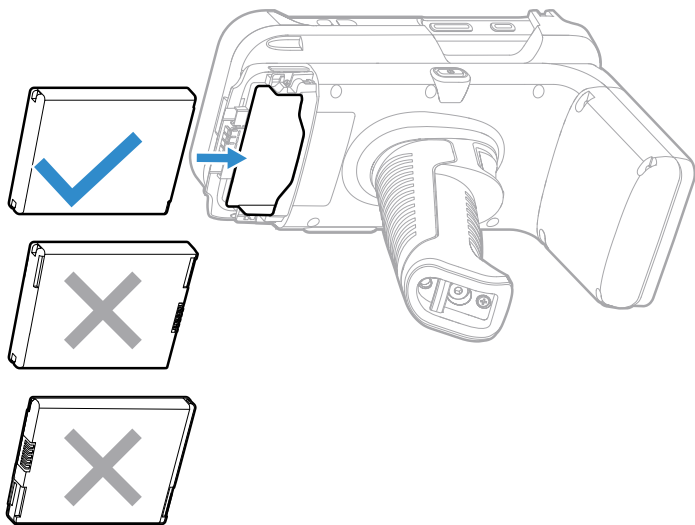
Install the battery before using the reader for the first time.

When installing or removing the battery, hold the unit upside down in the palm of your hand.

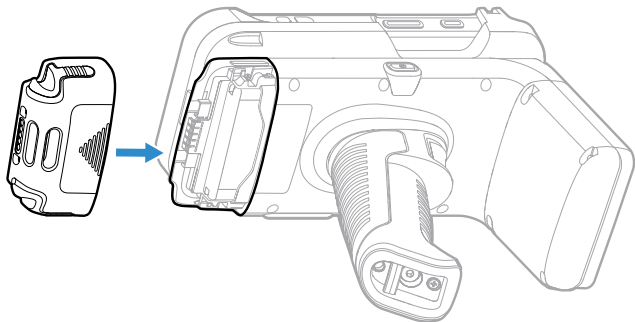
1. To access the battery compartment, squeeze the battery cover latches and slide the door out.



2. Insert the battery into the battery compartment.

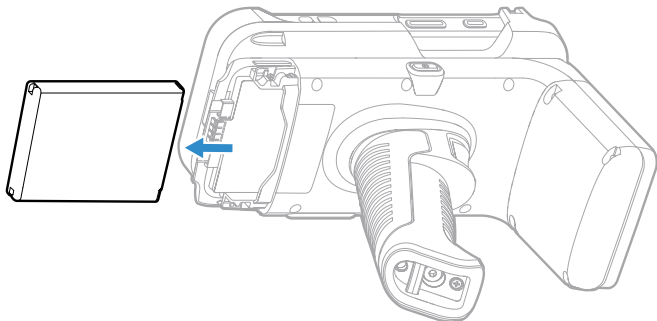


3. Slide the battery cover into the unit.



To uninstall the battery:

1. Squeeze the battery cover latches then slide the battery cover out.
2. Slide the battery out of the unit.



## Charging

Before using the reader for the first time, ensure the battery is fully charged.

**We recommend the use of Honeywell accessories and power adapters. Use of any non-Honeywell accessories or power adapters may cause damage not covered by the warranty.**



**Nous recommandons d'utiliser des accessoires et des adaptateurs secteur de marque Honeywell. L'utilisation de tout accessoire ou adaptateur secteur d'une autre marque est susceptible de provoquer des dommages non couverts par la garantie.**

The IH40 RFID Reader is compatible with all existing CT40 charge bases and universal dock chargers. To charge the IH40 RFID Reader with a booted charge dock, place a non-booted device adapter sleeve into the charging cup.

The RFID Reader can be charged alone or with a mobile device attached. If a mobile computer is attached to the IH40 when it is placed in the charger, both devices will charge simultaneously.

**Note:** *When charging, make sure the charging indicator is always on.*

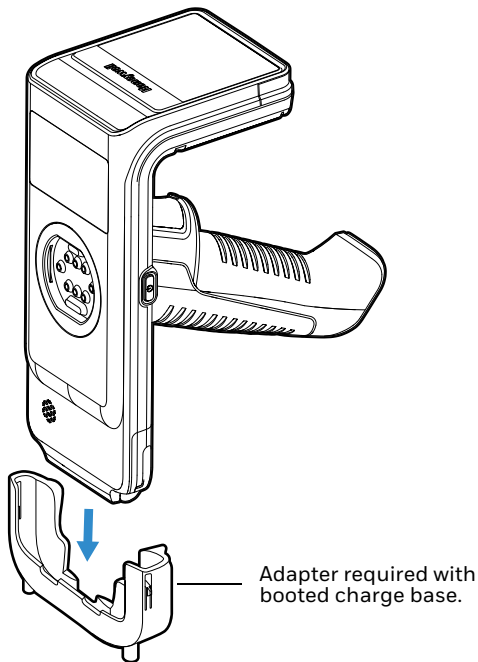
**Ensure all components are dry prior to mating the computers and batteries with peripheral devices. Mating wet components may cause damage not covered by the warranty.**



**Assurez-vous que tous les composants sont secs avant d'insérer la batterie dans l'ordinateur. L'insertion de composants humides risque de provoquer des dommages non couverts par la garantie.**



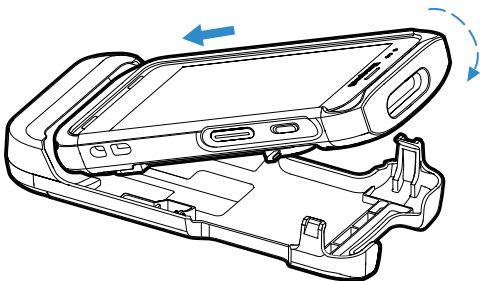
1. If the charge base has a booted cup, insert the device adapter sleeve into the charge dock.
2. Place the RFID Reader into the cup.



## Fitting/Unloading Bracket and Attaching Device

**Note:** Bracket may differ slightly from illustration depending on model.

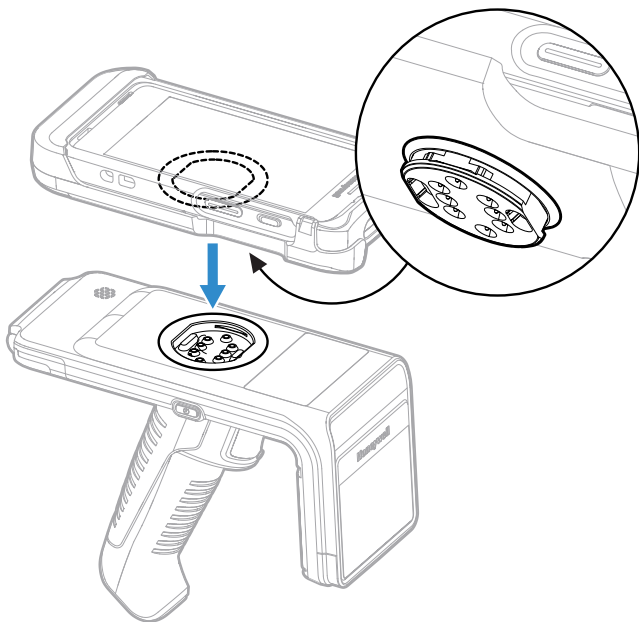
1. Insert the mobile computer into the bracket and press it down.



**Note:** When installing the bracket, pay attention to the angle and pressure to avoid damaging the product.

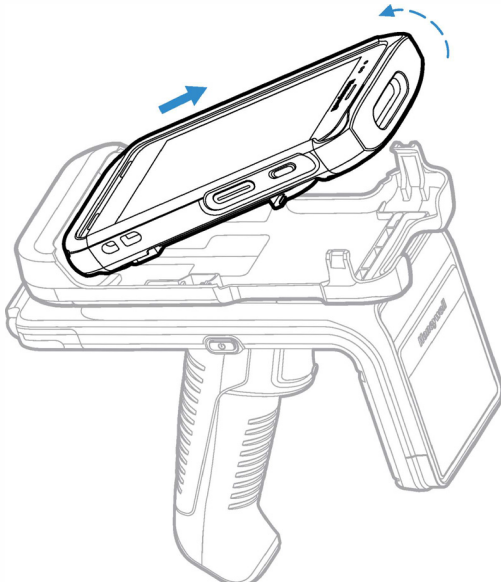
2. Before installing the device, ensure that the charge base plug and charge base socket on the reader are clean and free from dirt or debris.

3. Align the bracket with the charge base socket, ensuring that it is parallel, and press the two parts together firmly until they click into place.



To unload the mobile terminal:

1. Hold the RFID Reader by the handle.
2. Pull the mobile computer upwards out of the bracket.




3. To remove the bracket, hold the handle with one hand and lift the bracket up from the RFID Reader with the other hand.

## Reading RFID Tags

You can use the HonRFID application to demonstrate IH40 functions and tag operation. This app can be downloaded at <https://hsmftp.honeywell.com>.

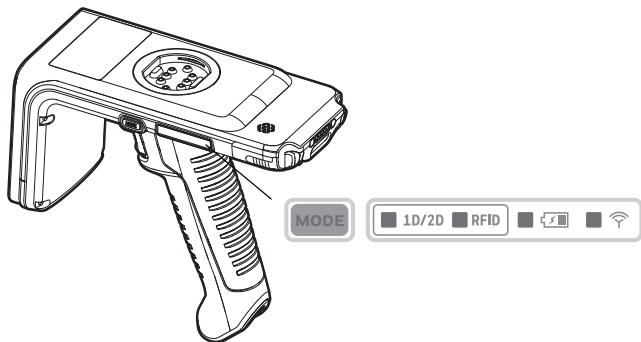
1. Turn on power to the reader. It beeps one time.
2. Power on the mobile terminal and launch the HonRFID app.
3. Touch the Connect icon on the home screen to go to the Connect screen.
4. To use Auto Connect:
  - a. Tap Auto Connect to switch this function on.
  - b. Tap the Search button. The mobile device will search for the available Bluetooth device and connect to it automatically. It beeps one time when successfully connected.
  - c. Tap CREATE READER at the bottom of the screen to pair with the IH40 and go to the Scan screen.
5. To manually connect:
  - a. Tap Auto Connect to switch the function off.
  - b. Tap the Search button and wait until the available Bluetooth devices are displayed in the list.
  - c. Select IH40 to connect. The unit beeps one time when successfully connected.
  - d. Tap CREATE READER at the bottom of the screen to pair with the IH40 and go to the Scan screen.


6. To connect using a QR code:
  - a. Tap  on the right top corner of the Connect screen and select the barcode reading option to scan the QR code on the IH40 to pair with it.
7. Press the MODE button and release within 3 seconds to check IH40's operation mode. (Not applicable for Model IH40-0.)
  - If the RFID LED lights up, the IH40 is in RFID mode.
  - If the 1D/2D LED lights up, the IH40 is in Barcode mode.
  - Press and hold the MODE button for at least 3 seconds to switch to RFID mode.
8. Press the trigger button to read tags.



**Note:** *The barcode reading option is only supported by Honeywell mobile devices. Switch on the Bluetooth function and Location (Settings > Security & location> Location) on the mobile device before connecting, or the connection will fail. RFID tags can be read when they are in range. The range (typically 0.2ft-20ft) at which a tag can be read depends on the tag type and size and the number of tags in the field.*

## MODE Button and Status Indicators

**Note:** *MODE button functionality does not apply to model IH40-0. Model IH40-0 uses RFID mode only.*



Indicator	Definition
	Press the MODE button to display the current mode indicator. Release the button within 3 seconds to turn the mode light off. Press and hold the MODE button for at least 3 seconds to switch between 1D/2D and RFID mode and the current mode light is on. Release the button: the current mode light is off.

Indicator	Definition
	Solid amber: Charging Solid green: Fully charged Red flash/Green and amber flash alternately: Charge error Solid red: Battery low warning (<20% capacity remaining.)
	Blue slow flash: Bluetooth disconnected (two beeps when disconnect from PDA) Solid blue: Bluetooth connected (one beep when connected successfully)

## Support

Go to [honeywell.com/PSStechnicalsupport](https://honeywell.com/PSStechnicalsupport) to search our knowledge base for a solution or to log into the Technical Support portal.

## Documentation

For the user guide and other documentation, go to [sps.honeywell.com](https://sps.honeywell.com).

## Limited Warranty

For warranty information, go to [sps.honeywell.com](https://sps.honeywell.com) and select **Support > Warranties**.

## Patents

For patent information, see [www.hsmpats.com](https://www.hsmpats.com).



## Trademarks

Android is a trademark of Google LLC.

## Disclaimer

Honeywell International Inc. (“HII”) reserves the right to make changes in specifications and other information contained in this document without prior notice, and the reader should in all cases consult HII to determine whether any such changes have been made. HII makes no representation or warranties regarding the information provided in this publication.

HII shall not be liable for technical or editorial errors or omissions contained herein; nor for incidental or consequential damages resulting from the furnishing, performance, or use of this material. HII disclaims all responsibility for the selection and use of software and/or hardware to achieve intended results.

This document contains proprietary information that is protected by copyright. All rights are reserved. No part of this document may be photocopied, reproduced, or translated into another language without the prior written consent of HII.

Copyright © 2021-2022 Honeywell International Inc. All rights reserved.