

CBX100 & CBX500

 DATALOGIC



APPLICATIONS

- Connection modules connect 2K, 4K, 6K, 8K and Matrix family to host system. Provide also connectivity to most important fieldbus network.

ADVANTAGES

- Designed to speed up installation, configuration and maintenance tasks for Datalogic Automation's 1D/2D code readers
- Ownership costs are considerably lowered by reduced installation time, and, in cases of replacement, by minimized system down time
- Installation is simplified thanks to accessible through holes for mounting screws with closed box.
- Pinout standardization simplifies wiring to the appropriate terminal block
- IP65 (NEMA 4) protection class and 0 to 50 °C (32 to 122 °F) operating temperature.

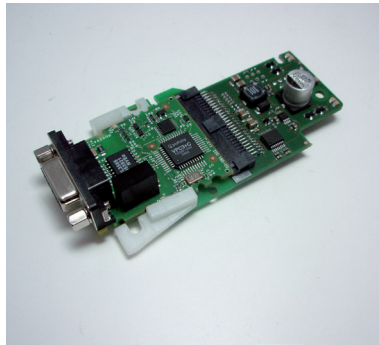
HIGHLIGHTS

- Standard connectivity solution for Datalogic Automation offer
- Extremely low cost of ownership
- IP65 (NEMA 4) rated industrial design
- Flexible mounting and simplified wiring to speed up the installation
- Reliable Backup and Restore feature to minimize plant downtime
- Open architecture allows comfortable connectivity to Ethernet TCP/IP, Profibus, DeviceNet, Ethernet/IP and other common networks.
- Multilanguage Display for easy monitoring and troubleshooting
- Visible Power and I/O indicators and Power On/Off switch

GENERAL DESCRIPTION

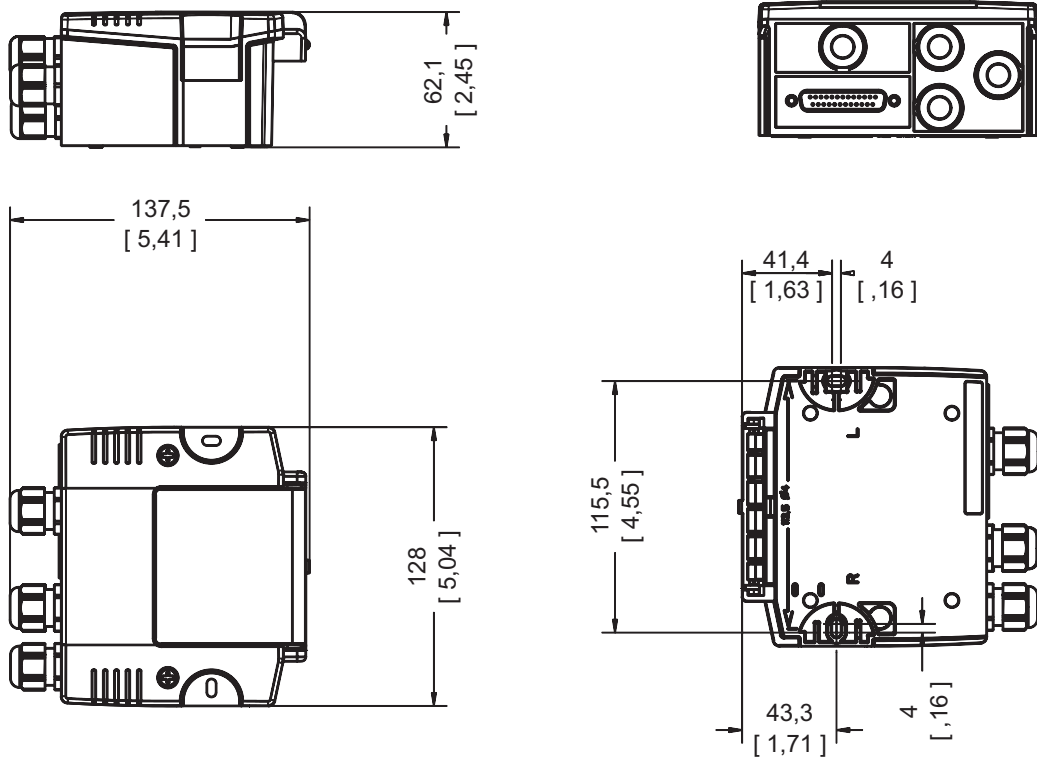
The CBX100 and CBX500 are industrial connection boxes designed to speed up Datalogic Automation 1D/2D code readers installation, configuration and maintenance tasks. CBX100 and CBX500 feature an extremely low cost of ownership by reducing installation time, and, in cases of replacement, minimizing system downtime.

CBX100 and CBX500 feature IP65 (NEMA 4) protection class and 0 to 50 °C (32 to 122 °F) operating temperature. With its specific plastic and rubber materials, CBX100LT dedicated model features an operating temperature down to -35°C (-31°F).

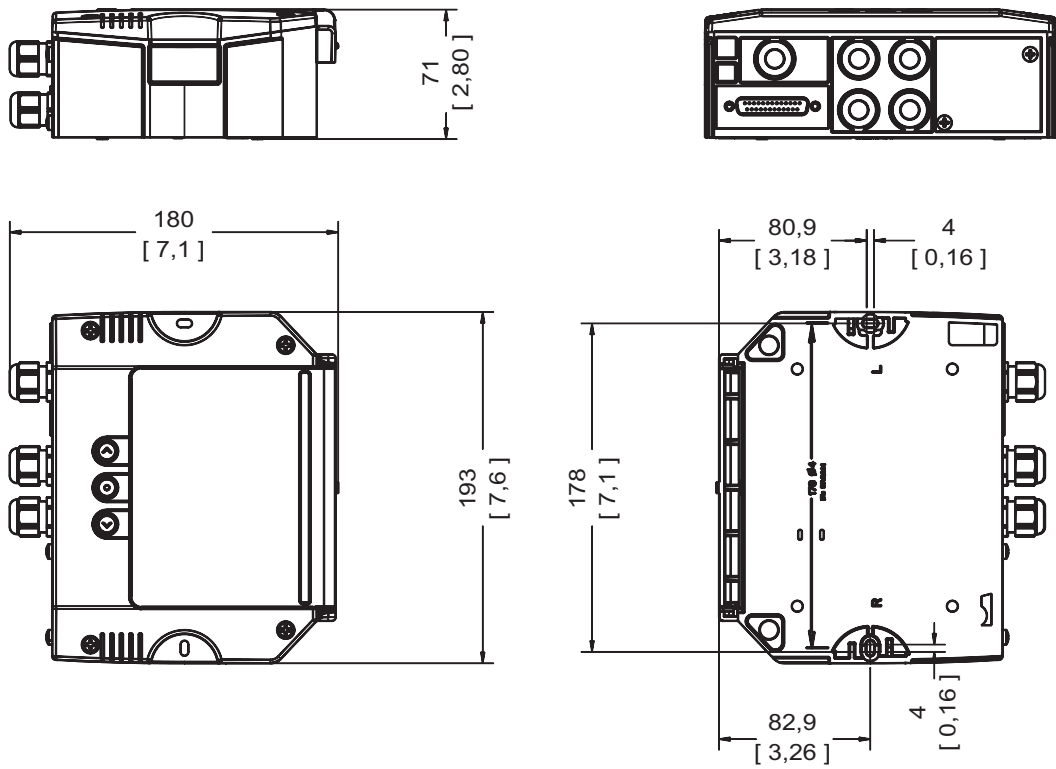


DIMENSIONS

CBX100



CBX500



mm / inch

MODELS AND ACCESSORIES

MODELS			
Order No.	Description		
93A301067	CBX100 CONNECTION BOX COMPACT		
93A301068	CBX500 CONNECTION BOX MODULAR		
93A301069	CBX100LT CONNECTION BOX COMPACT LOW TEMP.		
ACCESSORIES			
Order No.	Description		
93ACC1808	BM100 BACKUP MODULE	CBX100	CBX500
93ACC1809	BM150 DISPLAY MODULE		CBX500
93ACC1851	BM200 ETHERNET TCP/IP MODULE		CBX500
93ACC1852	BM210 ETHERNET TCP/IP IP65 MODULE		CBX500
93ACC1810	BM300 PROFIBUS MODULE		CBX500
93ACC1811	BM310 PROFIBUS IP65 MODULE		CBX500
93ACC1814	BM400 DEVICENET MODULE		CBX500
93ACC1812	BM500 ETHERNET/IP MODULE		CBX500
93ACC1813	BM510 ETHERNET/IP IP65 MODULE		CBX500
93ACC1840	BM520 ETHERNET/IP IP54 MODULE		CBX500
93ACC1815	BM600 CAN OPEN MODULE		CBX500
93ACC1816	BM700 PROFINET MODULE		CBX500
93ACC1845	BM1100 CC-LINK MODULE		CBX500
93ACC1848	BM1200 MODBUS TCP MODULE		CBX500
93ACC1849	BM1210 MODBUS TCP IP65 MODULE		CBX500
93ACC1821	BA100 DIN RAIL ADAPTERS	CBX100	CBX500
93ACC1822	BA200 BOSCH ADAPTERS	CBX100	CBX500
93ACC1847	BA900 TWO CABLE GLANDS PANEL		CBX500
93ACC1877	BA300 M12 3P F. PANEL CONN. (SERVICE)		
93ACC1853	BA400 M12 3P M. PANEL CONN. (EXT.POWER)		
93ACC1854	BA500 M12 4P F. PANEL CONN. (TRIGGER)		
93ACC1855	BA600 M12 5P F. PANEL CONN. (ID-NET OUT)		
93ACC1856	BA700 M12 5P M. PANEL CONN. (ID-NET IN)		

TECHNICAL DATA

MODELS	CBX100	CBX500
Dimensions	128 x 138 x 62 mm	193 x 180 x 71 mm
Weight	380 g. (13.40 oz.)	780 g. (27.5 oz.)
Power supply	10 to 30 VDC	
Power consumption	2.5 W max	
Operating temperature	0 to 50 °C (32 to 122 °F)	
Storage temperature	-20 to 70 °C (-4 to 158 °F)	
Humidity	90% non condensing	
Protection class	IP65	
Shock resistance	EN 60068-2-27 30G; 11ms; 3 shocks on each axis	
Vibration resistance	EN 60068-2-6 1.5mm; 10 to 55 Hz; 2 hours on each axis	
Display & keypad	20 x 4 characters & 3 keys	
Diagnostic leds	Power On/Polarity Error, Trigger, IN2, OUT1, OUT2	
Communication protocol	Datalogic Application Driver (DAD Driver)	
Handshaking	Message fragmentation and flow control	
Address setting	HW Switches, Genius™, VisiSet™	
Exchange memory for i/o data	Up to 128 bytes	
Compatible devices	DS2100N, DS2400N, DS4800, DS6300,	DS2100N, DS2400N, DS4800, MATRIX 200™, MATRIX 400™
	DS6400, DX6400, DS8100A, DX8200A,	
	MATRIX-2000™, MATRIX 200™, MATRIX 400™	

Rev. 02, 11/2014